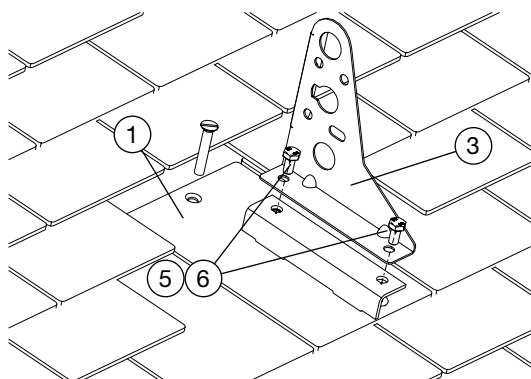


	Part	Part. no.
1	Slate mount	Xxxx
2	Backing plate	ML5002
3	Bracket	NS5000
4	Bolt M10x60	XFS1060

	Part	Part. no.
5	Bolt set	BU1201
6	Set of nuts	MU1001
7	Bolt M10x30	XFS1030
8	Washer	BR1000

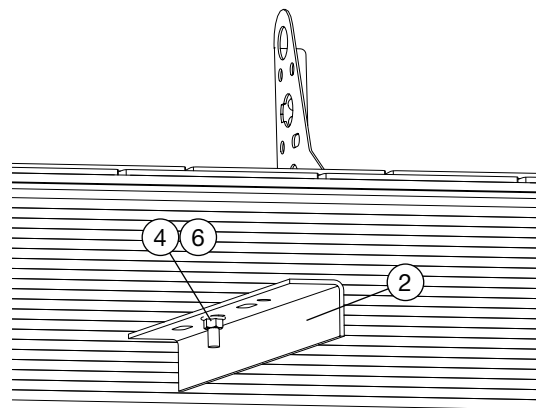
	Part	Part. no.
9	Spacer	DS5700

The slate mount replaces the slate plate. The slate mount is fitted in and holes for fixing are drilled.



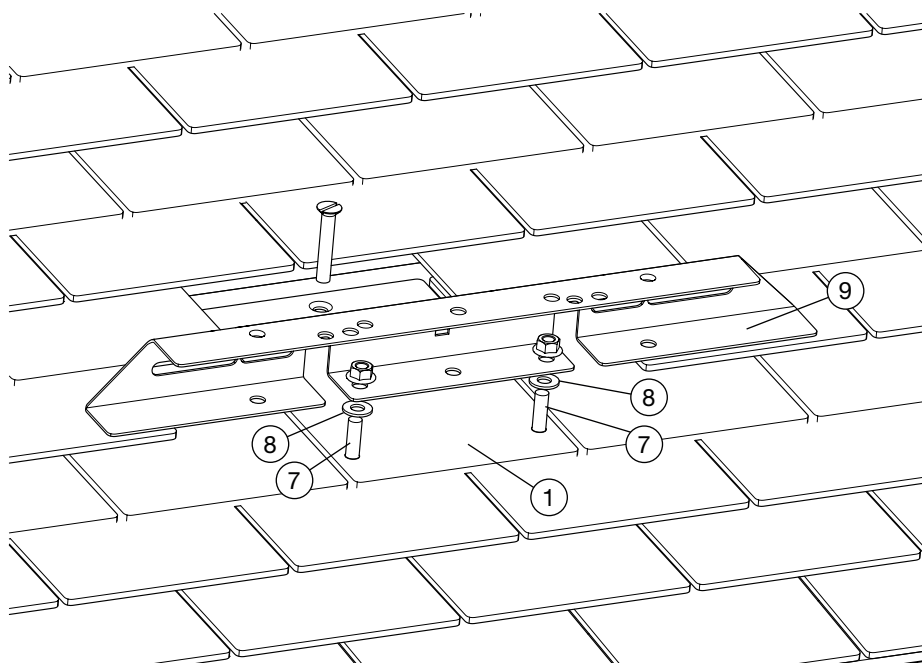
Assembly

Bracket (3) is fixed to the slate mount (1) using 2 bolts + nuts (5,6).



Backing plate

The backing plate has to be fitted in the direction of the roof's fall using 1 M10x60 bolt + nut (4,6).



Spacer

The spacer is bolted to the slate mount (1) using 2 countersunk M10x30 (7). Washers (8) are placed between the spacer and slate mount to even out the differences in height to neighbouring slates.