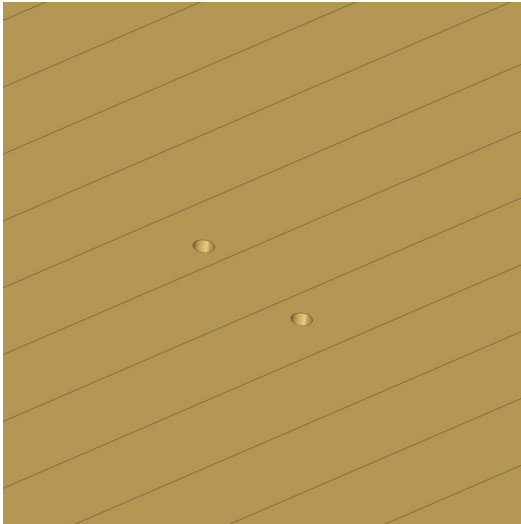


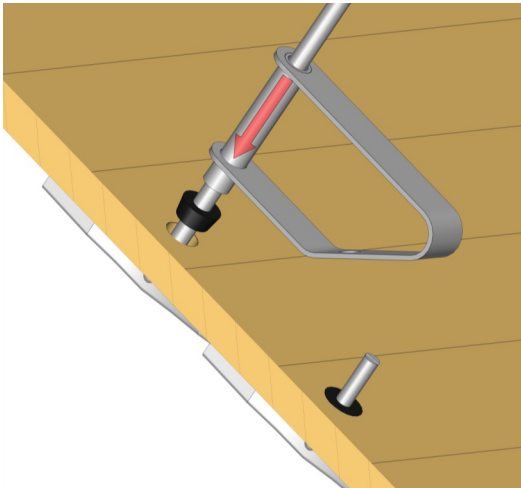
Quick Fixing Mount



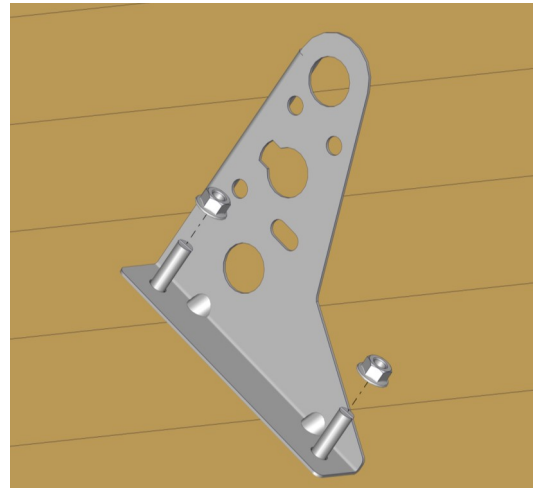
Drill two 23 mm holes for the quick



Thread the rubber cone on the installation tool and screw on the quick fixing mount. Then push the quick fixing mount into the hole and make sure the arm opens out.

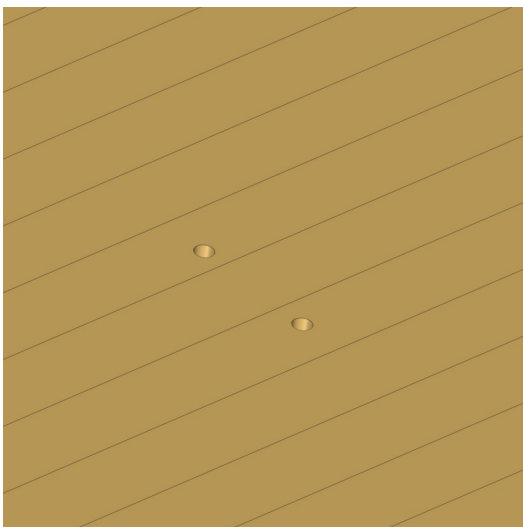


Pull the arm up against the under-roof and push the rubber cone firmly into the hole. Unscrew the installation tool. **NOTE! The mark in the bolt must be perpendicular to the direction of the boards.**

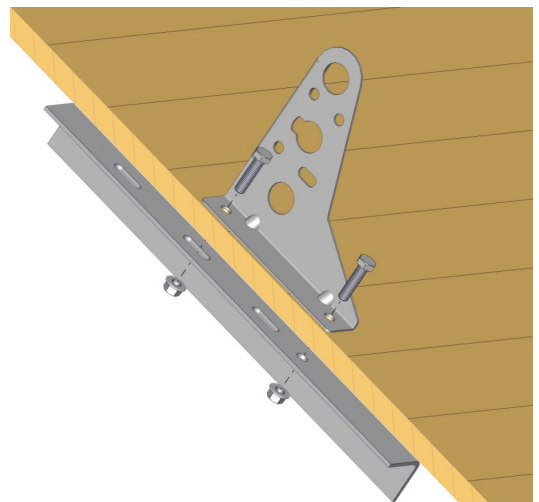


Screw the bracket into place using 2 M10 nuts.

Motlägg



Drill two 11 mm holes for the bolts.



Place the backing plate on the underneath of the roof and the bracket on the top, Screw into place with 2 M10x60 mm + rubber washer and nuts.