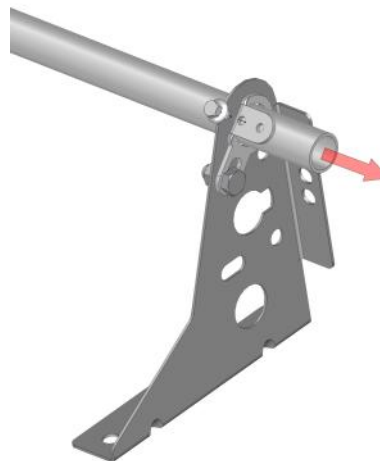
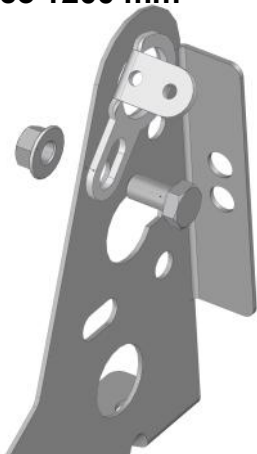


The mount is installed on the roof according to separate assembly instructions.

Max. distance 1200 mm

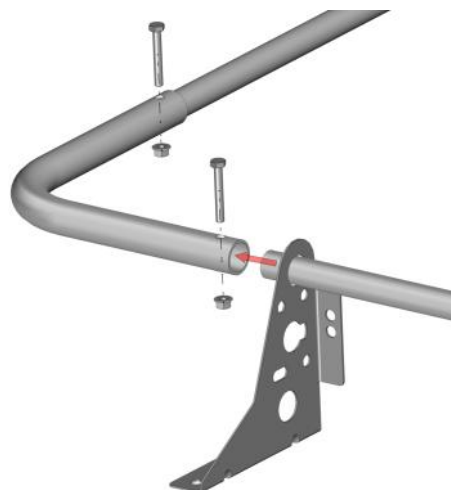
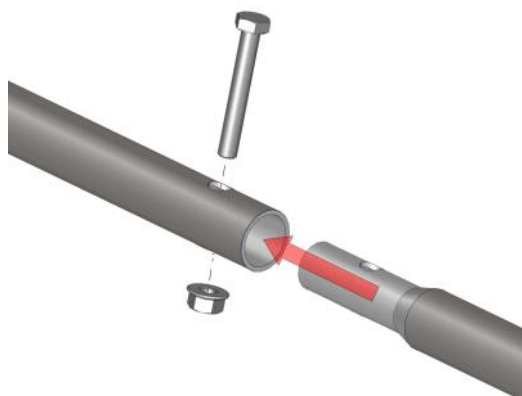
Ridge Rails/Eaves Railing



Assemble the tube locking device on the bracket using M0+20 bolt + nut. The locking device is mounted on the outer side of the first and last bracket on each section.

The tube is pushed through the hole (max. protrusion: 300mm) and locked in place with 1 5.5x25 self-drilling screw.

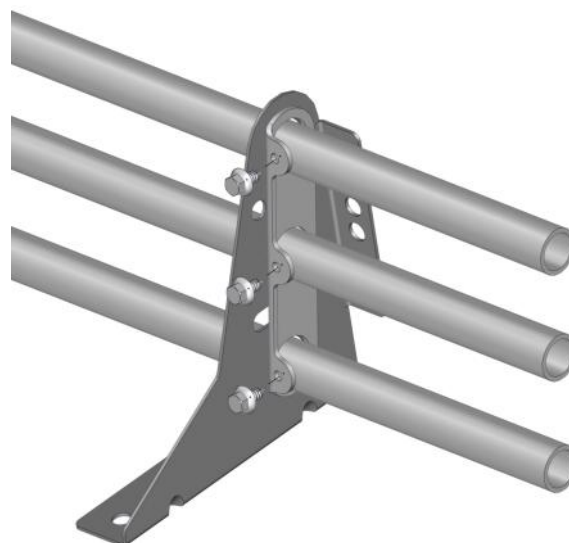
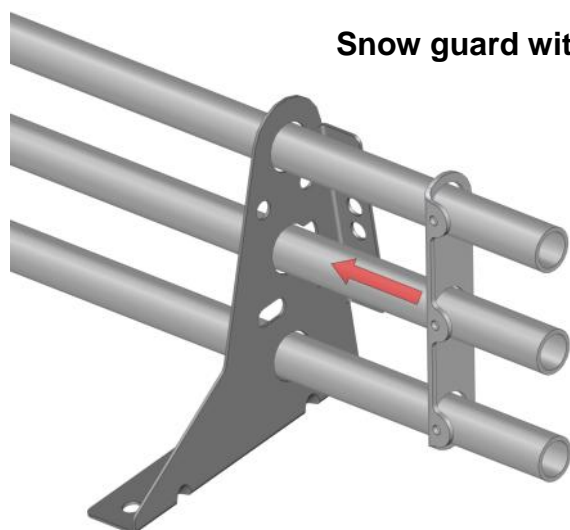
Joining the tubes



The railing tubes are pushed into each other and locked in place using M8x40

When assembling 90° bends (optional), lock in place with M8x40 nut + bolt.

Snow guard with 3 tubes



The 3-tube locking device is pushed on and locked in place with 3 5.5x25 self-drilling screws. The locking device is mounted on the outer side of the first and last bracket on each section.