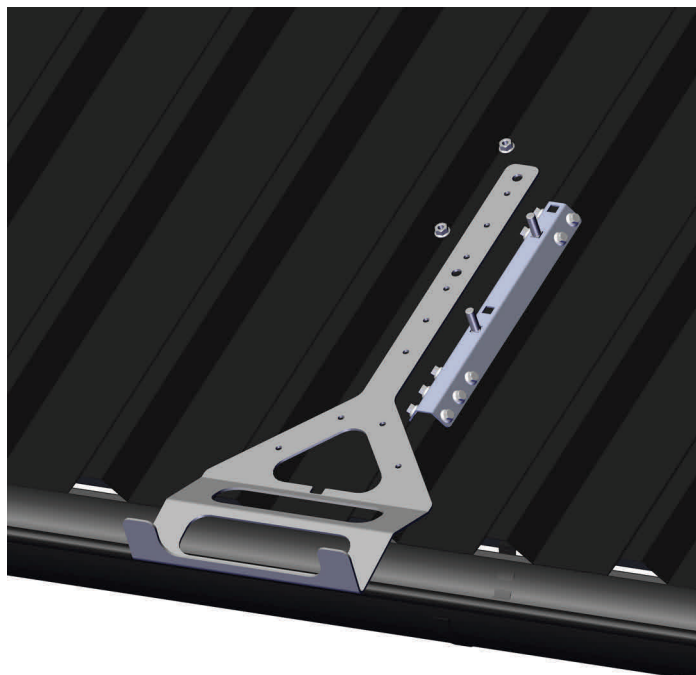
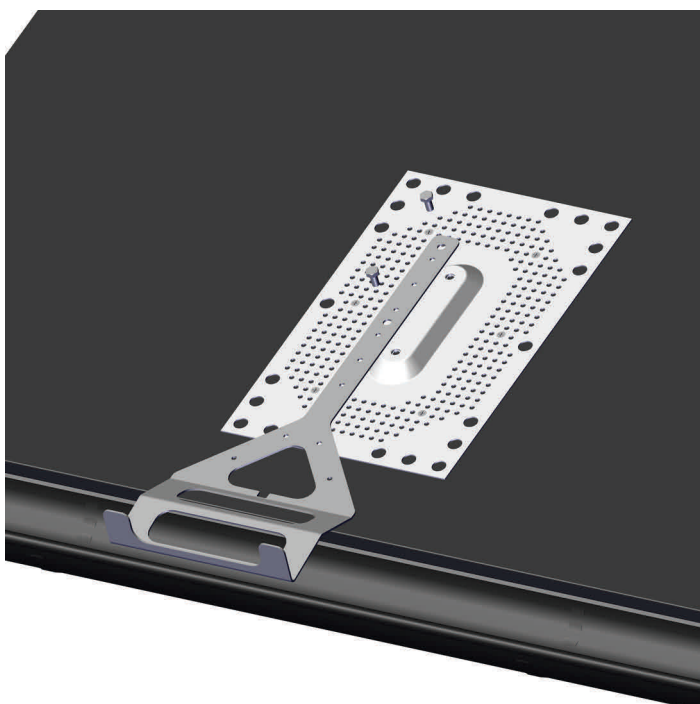




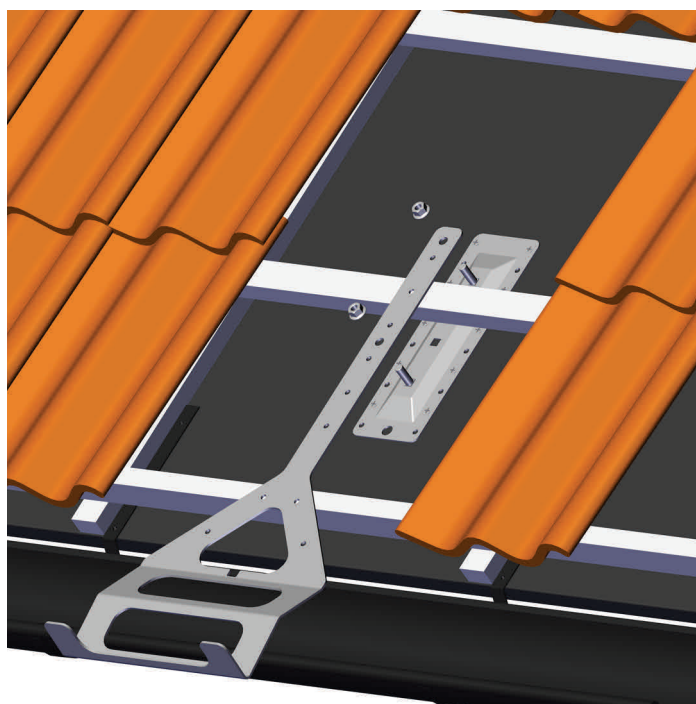
Standing seam mount on strip covering



IP-profile on sheet metal roof

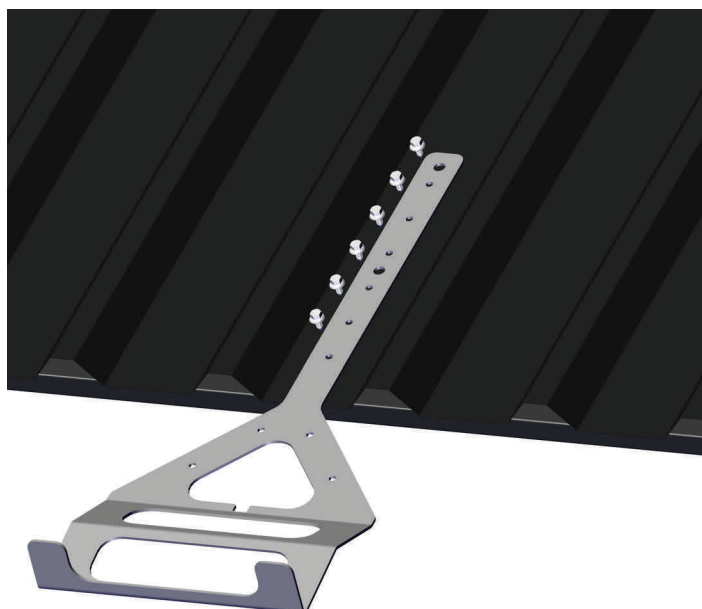


Sealing plate on felt roof

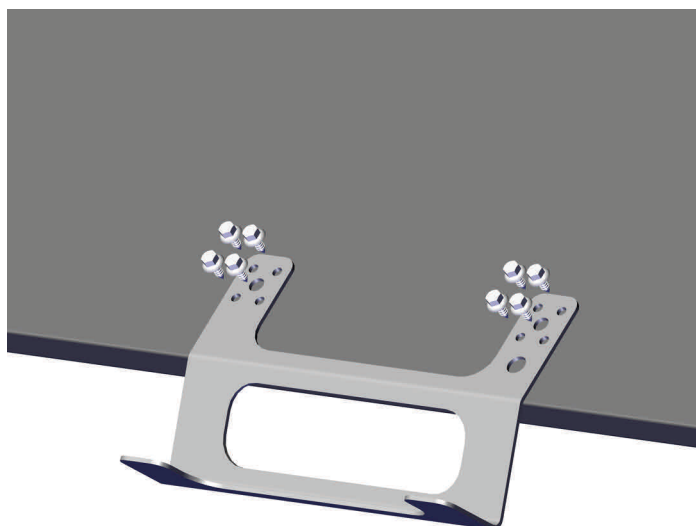


Footplate screwed into tongued and grooved board on tiled roof

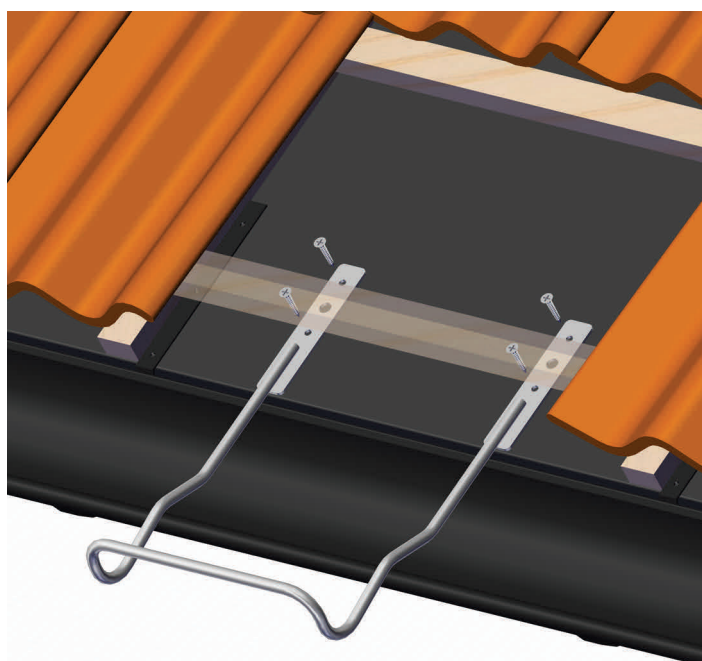
The anti-slip guard can be installed in several different ways. It is best mounted on one of our fixings (the fixings are installed according to the accompanying instructions). The assembly must withstand a load of 100 kg in all directions. The anti-slip guard is adjusted so it fits against any guttering and so the ladder can be hooked on without any interference. Where necessary, the anti-slip protection is broken/bent to give a better fit against the roof and guttering.



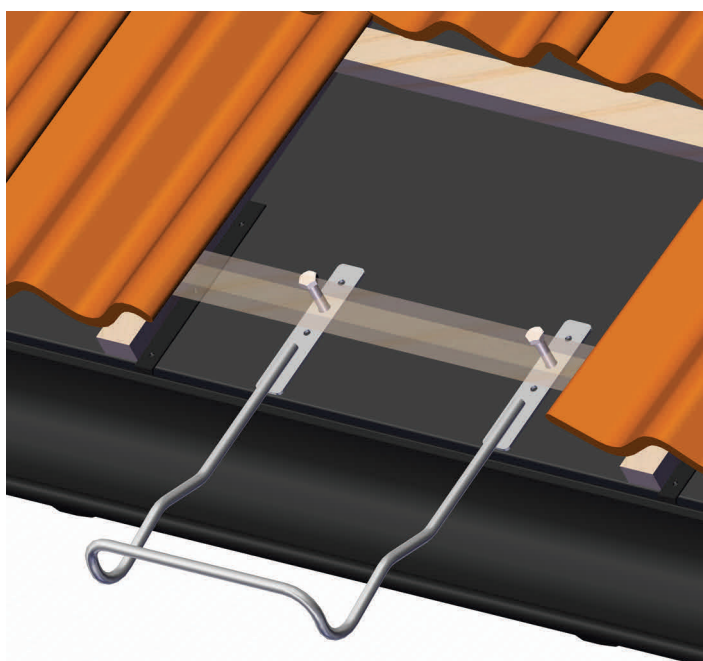
Directly assembled on plate or tongued and grooved board. At least 5 5 mm screws



Direct assembly when there is no gutter. At least 4 5 mm screws



WG1000 is assembled directly on to the tongued and grooved board using 4 5 mm wood screws.



WG1000 Assembled with penetrating M10 bolt and nut.