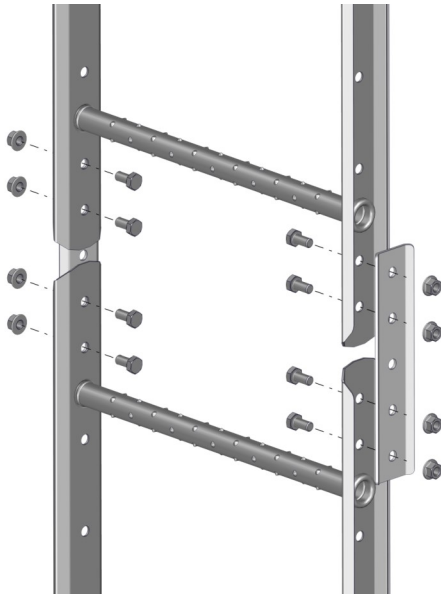


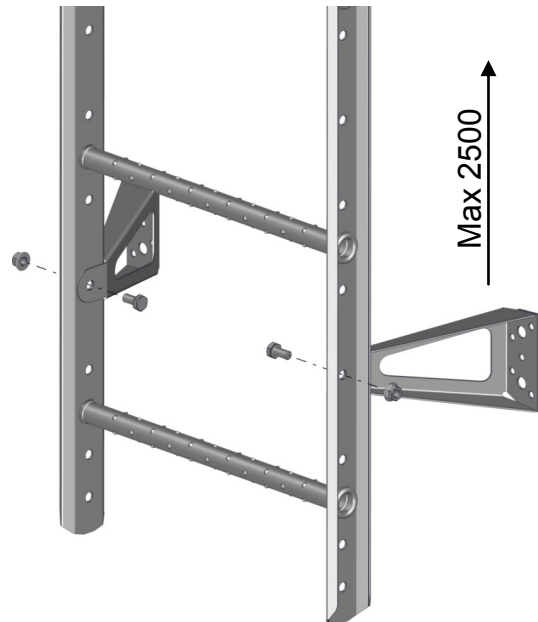
Mount the top pair of brackets using suitable bolting material. Se MA1001 Belastningstabell för mer info.



Mount the ladder in the top pair of brackets using 2 M10x20 + nut and make sure the top rung is at least 30 mm above the roof edge.



Join the ladders together using joint plate and 4 M10x20 bolts + nuts.



Mount the remaining brackets with max. c/c distance of 2500 mm



Mount handrail, where applicable, using 2 M10x60 bolts + nuts/ handrail.

