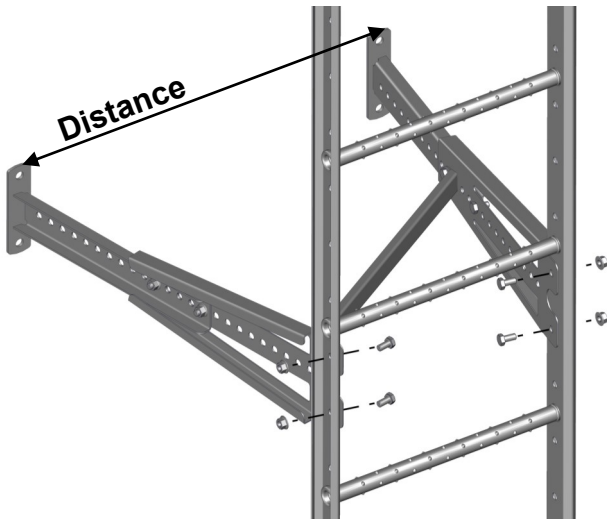
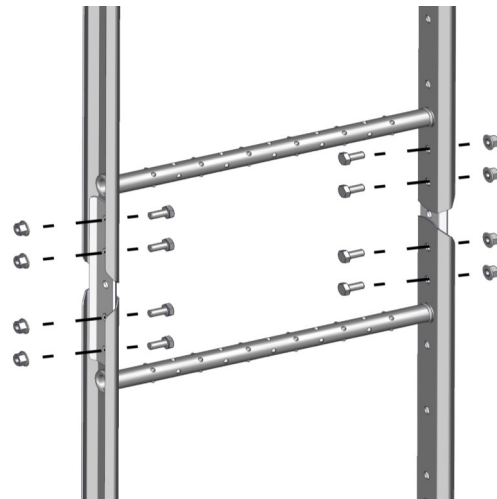


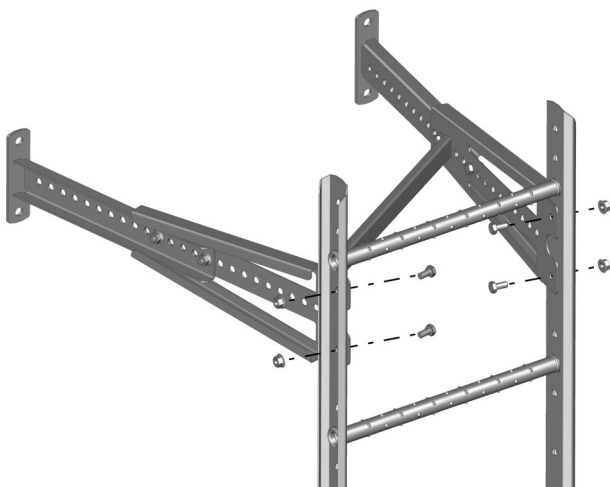
Mount the top brackets first. Determine the suitable length of the bracket and measure the **distance** between the fixing holes. The diagonal brace is mounted in the same hole as the ladder side and to the next innermost hole on the bracket using 4 M10x20 + nuts. For the wall, use max. M12 bolts suitable for wall constructions. **For information about pull out loads see MA1001**



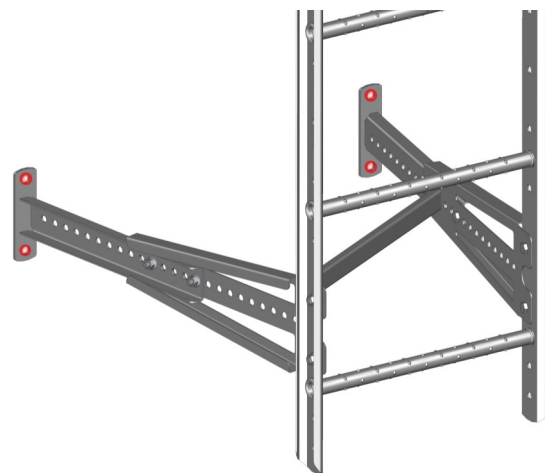
Assemble the other brackets on the ladder using 4 M10x20 bolts + nuts. Max. distance between brackets: **2500 mm**. The diagonal struts are mounted **crosswise**.



If necessary, the ladders are joined together using the associated joint set and 8 M10x20 + nuts.



Lift up the ladder and mount in the top brackets.



Then bolt the wall brackets on to the façade using suitable bolting material.