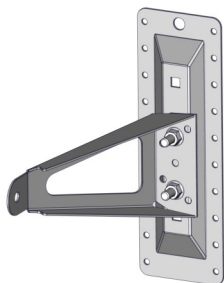
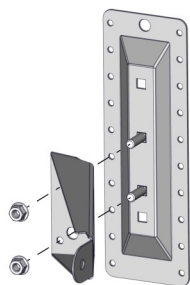
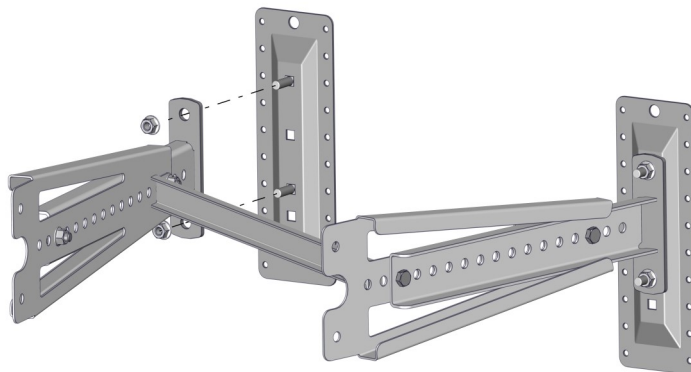


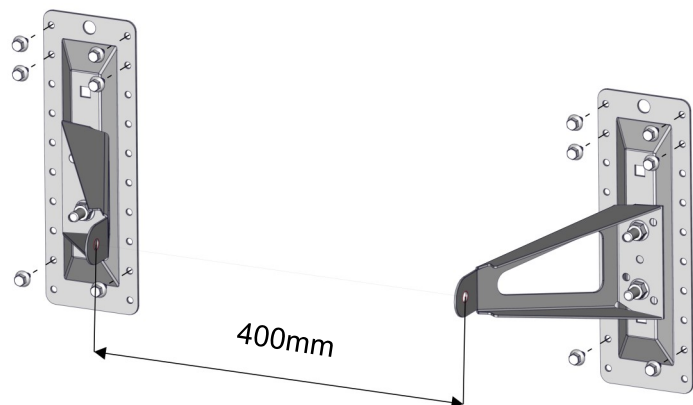
The base plate can be used against sheet metal, wood and other facade material where it is appropriate to spread out the fixing points.



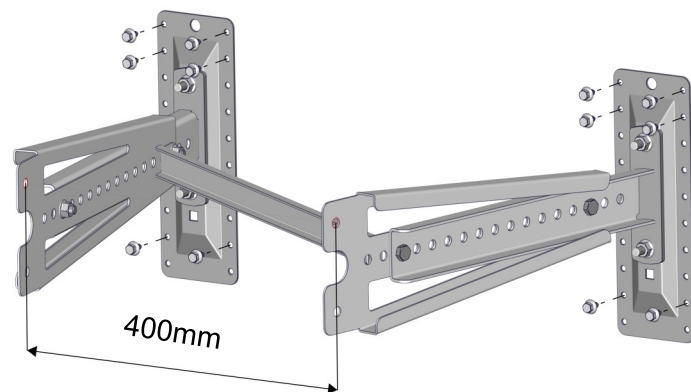
Mount the brackets on to the base plates using two M10x20 nuts + bolts.



Mount the adjustable brackets on to the base plates using two M10x20 nuts + bolts.



Screw the base plates to the wall using at least 6 screws, whereof 4 in the top section. The screws are dimensioned as follows.  
Tensile force 0.6 kN  
Transverse force 0.5 kN



Screw the base plates to the wall using at least 6 screws, whereof 4 in the top section. The screws are dimensioned as follows.  
Tensile force 0.6 kN  
Transverse force 0.5 kN

Rev. Date 150519