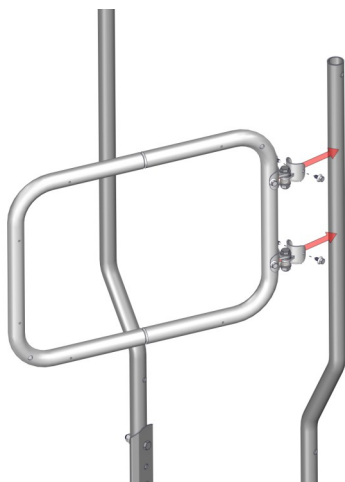
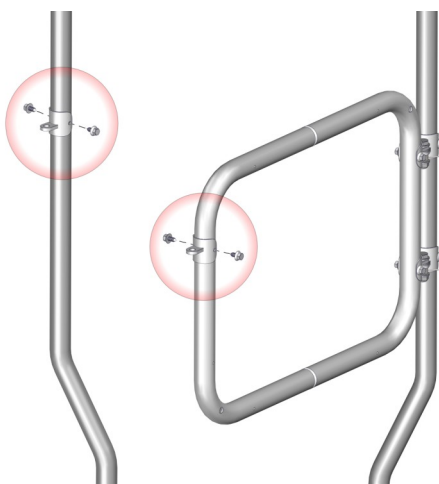
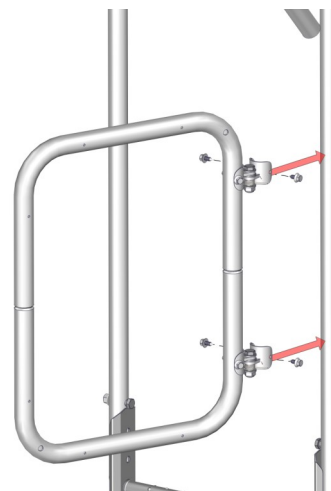


NOTE! Depending on the type of handrail, the ladder hoop is installed vertically or horizontally. Assemble the hinges on the gate hoop. Use four 5x22 mm self-drilling screws in the pre-existing holes.



Assemble the gate on the handrail using four 5x22 mm self-drilling screws at a suitable height. In the closed position, the gate should lie close to the handrail.



If the gate is to be equipped with a hasp for a padlock, this is assembled using four 5x22 self-drilling screws on the handrail and gate.

