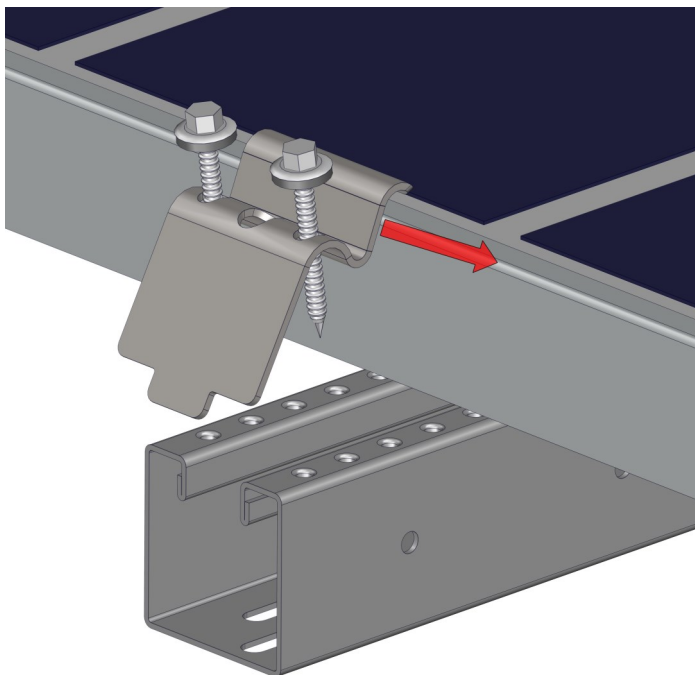


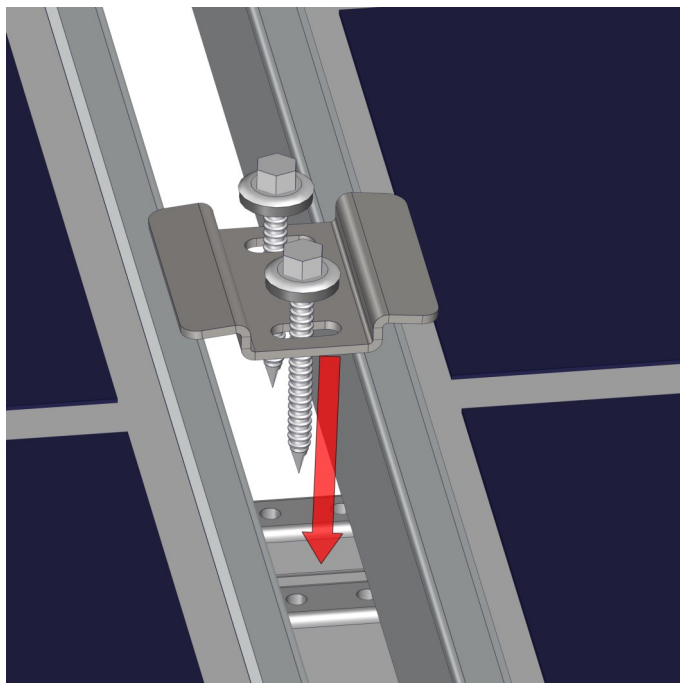
Observe the Swedish Work Environment Authority's rules! All work at heights above 2m must be carried out with falling protection. Weland Stål can help you create a safe workplace.

## End clamp

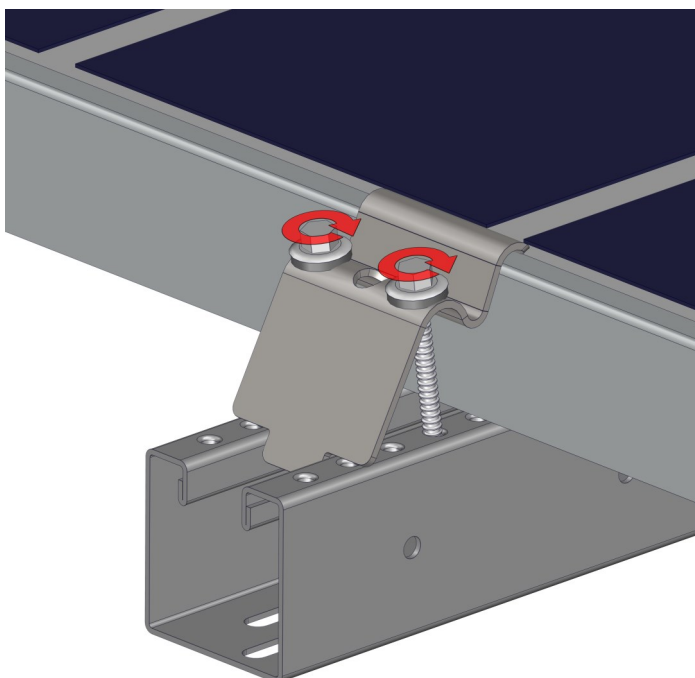


Place the end clamp in the rail and against the panel side. The rail's protrusion varies by the height of the panel. Use 2x 6.3x64mm plate screws .

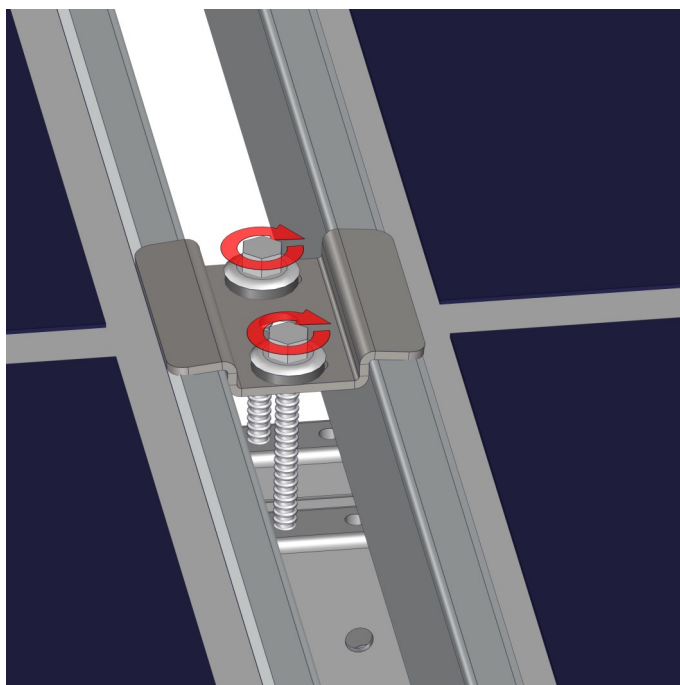
## Intermediate clamp



Place the intermediate clamp between the panels. Free distance between panels 30mm.



Tighten the screws, so the clamp fastens the panel into place.



Tighten the screws, until the wings on the clamp are flat against the panel.