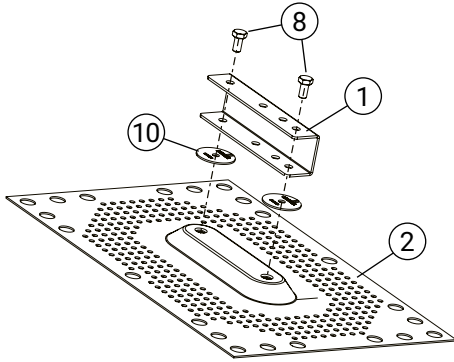


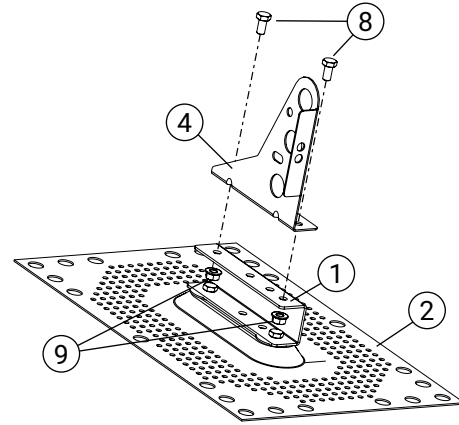
Part	Part. no.
1 Elevation Spacer for Sedum	FD5520
2 Sealing plate, raised	TP3551
3 Sealing plate, OPTI	TP3645
4 Bracket Type 5	NS5000
5 C-profile	CP1400

Part	Part. no.
6 Spacer roof ladder / roof gangway	DS5700
7 Flange nut M10	VB1301/VB1305
8 Bolt M10x20	BU1201/BU1200
9 Flange nut M10	MU1001/MU1010
10 Rubber washer Ø50 M10	GB5010 (GB0010)



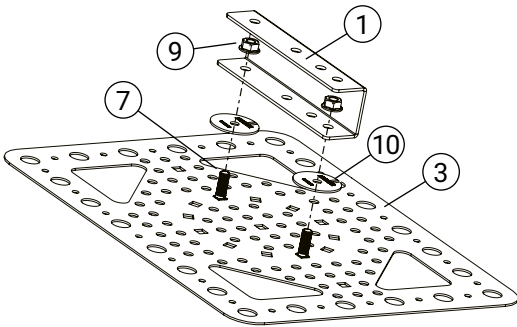
### 1. Elevation Spacer

Install the elevation spacer (1) onto the sealing plate (2) using 2 bolts (8) in the lower flange.



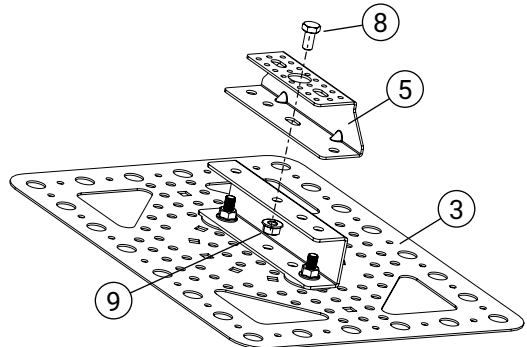
### 2. Bracket

Install the bracket (4) using 2 bolts (8) and nuts (9) in the upper flange.



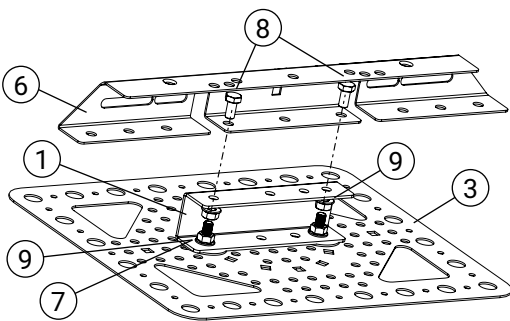
### 3. Elevation Spacer

Install the elevation spacer (1) onto the sealing plate (3) using 2 flange bolts (7) and nuts (9) in the lower flange.



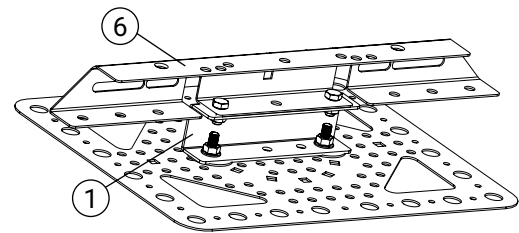
### 4. C-Profile

Install the C-profile (5) using 1 bolt (8) and nut (9) in the upper flange.



### 5. Spacer

Install the elevation spacer (1) onto the sealing plate (3) using 2 flange bolts (7) and nuts (9) in the lower flange. Install the spacer (6) using 2 bolts (8) and nuts (9).



### 6. Spacer

Install the spacer (6) against the elevation spacer (1).