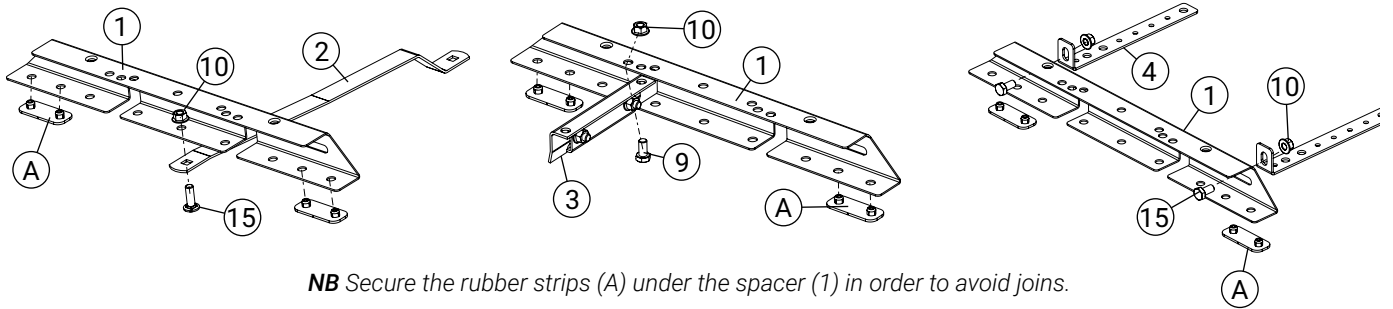


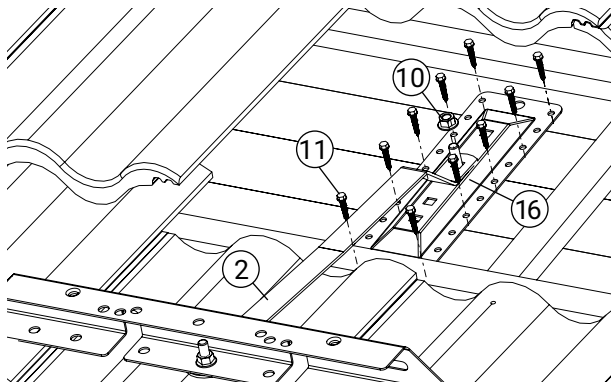
Part	Part no.
1 Spacer	DS5700
2 Fixing iron	FJ3030
3 Standing seam mount	FF0174
4 Fixing profile	IP0280
5 Bolt set spacer	BS5700
6 Fishplate bracket	SK2500
7 Anti-slip protector	GS6001
8 Roof rung, roof ladder	TT1535

Part	Part no.
9 Bolt M10x20	BU1201/BU1200
10 Flange nut M10	MU1001/MU1010
11 Wood screw, hexagonal 6x30	TS6301/TS6310
12 Self-tapping screw 6.3x19	SS6191/SS6190
13 Rubber washer	GB0010
14 Rubber strip for DS5700 and FF0300	GL5700
15 Coach bolt M10x30	VB1301/VB1305
16 Mounting plate 300x100 mm	FP0300

Max distance between spacers 2 m. Max overhang 300 mm.

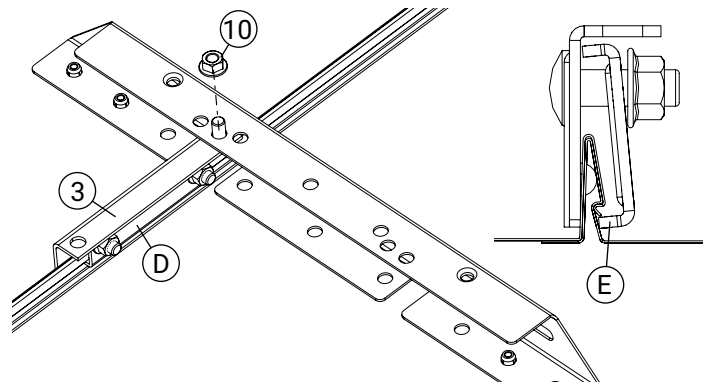


NB Secure the rubber strips (A) under the spacer (1) in order to avoid joins.



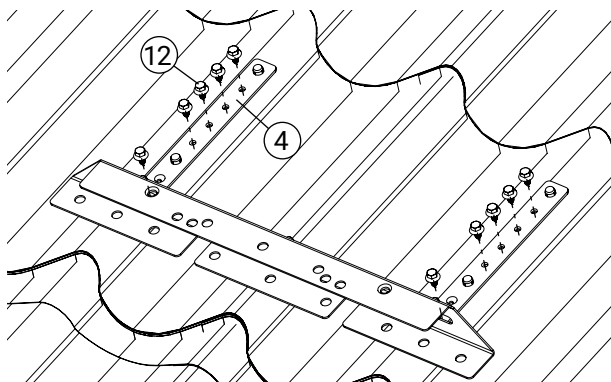
Installation of inserted tongue

Install the inserted tongue on the base plate using nut (10) and screw to the false ceiling with 10 6x30 wood screws (11).



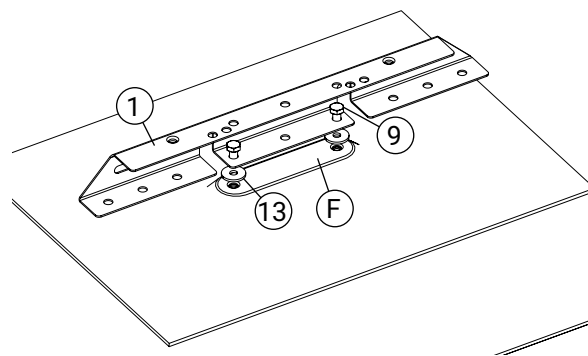
Installation of standing seam mount

Fit the standing seam mount (3) on the roof seam and tighten the jaws (D) to min. 20 Nm. The jaws must grip round the double-fold edge (E).



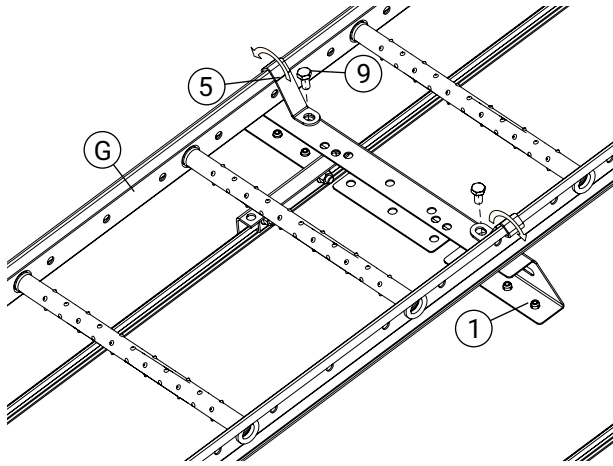
Installation of attachment profiles

Fit the attachment profiles (4) to the top of the roofing plate using 5 6.3x19 mm self-tapping plate screws (12).



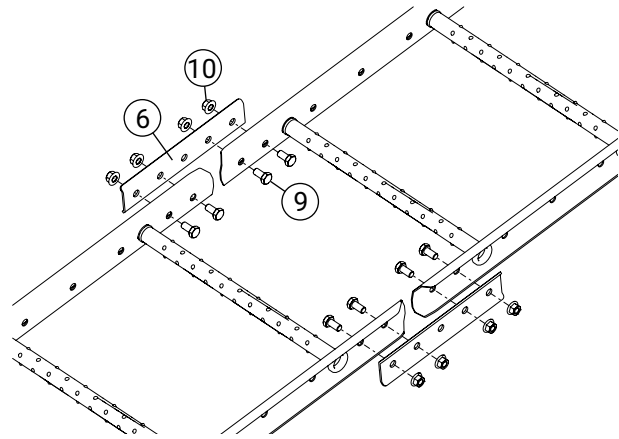
Installation against sealing plate

Fit the spacer (1) against sealing plate (F) using 2 M10x20 bolts (9) and 2 rubber washers (13). See installation instructions for the sealing plate.



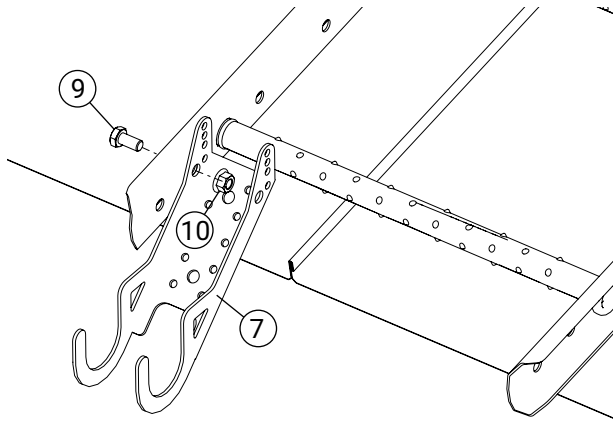
Installation against spacer

Fit the ladder (G) against the spacer using hooks (H) and 2 M10x20 bolts (9).



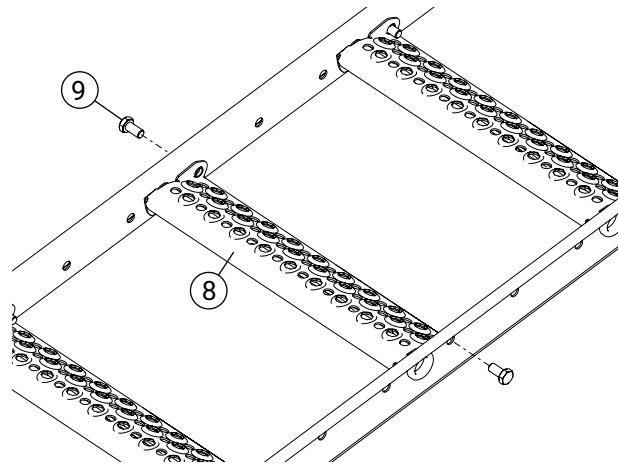
Installation of ladder joint

Fit using joint fitting (6) and screw joint using 4 M10x20 bolts (9), nuts (10). Bolts are to be fitted from the inside.



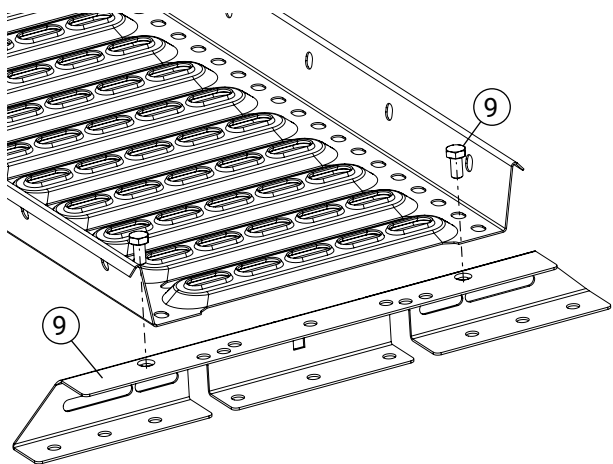
Installation of anti-slip protection

Install the anti-slip protection (7) so that the rung of the loose ladder can engage in the hook and that both sides of the ladder rest against a gutter/roof edge. Use 1 M10x20 bolt (9) + nut (10).



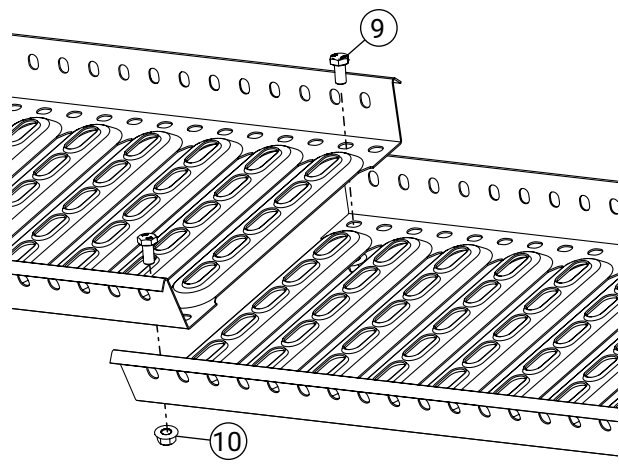
Installation of rungs

Ladder (8) is hooked on the rung and locked using 2 M10x20 bolts (9). **Roof pitch 8° to 35°.**



Installation of roof gangway

Fit the roof gangway against the spacer (1) using 2 M10x20 bolts (9). **NB** Exact distance attachment c/c 1190 mm (division 35).



Joining the gangway

The gangway is joined by overlapping (at least one wave top) and screwed diagonally using 2 M10x20 bolts (9) and nuts (10). **NB** At least two mounts on each side of the join are required.