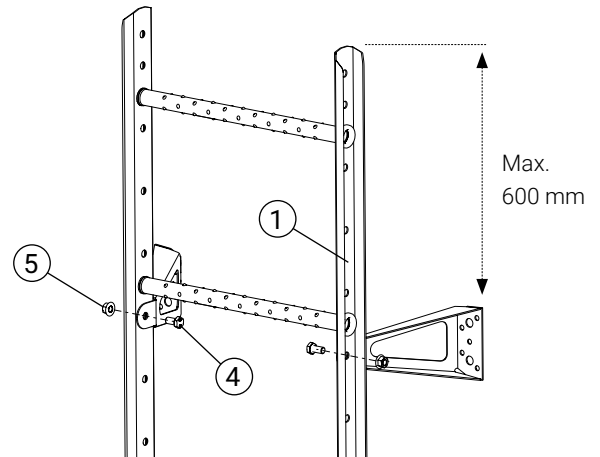
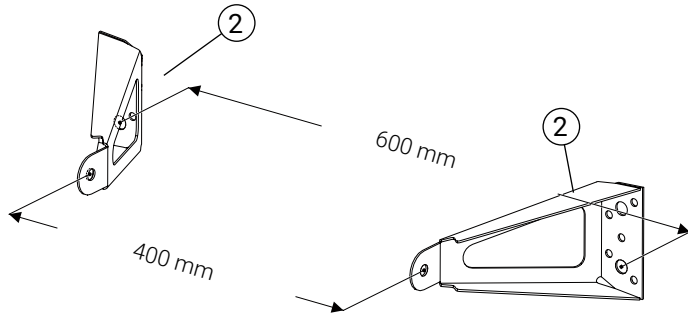


Part	Part. no.
1 Cat ladder	ST1540/ST1840/ST2440
2 Bracket kit	KS0150/KS0300
3 Fishplate bracket	SK2500

Part	Part. no.
4 Bolt M10x20	BU1201/BU1200
5 Flange nut M10	MU1001/MU1010
6 Tread end protector, plastic	PS1070

Fasteners, Read load table MA1001 for the correct screw connection.

Distance between brackets: max. 2500 mm.

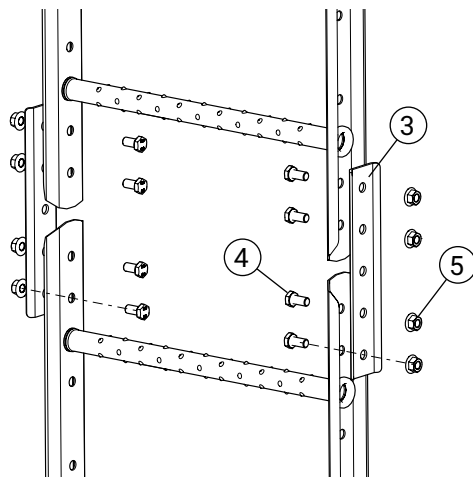


1. Installation of brackets

Install the top pair of brackets (2) using suitable bolting material. See MA1001 Loading table for more info.

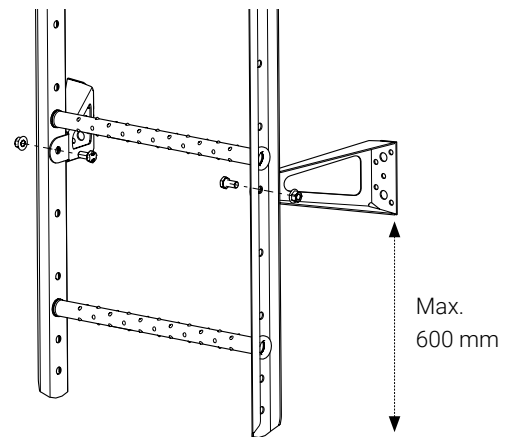
2. Fitting to the top bracket pair

Fit the ladder in the top bracket pair using 2 bolts (4) + nuts (5) and make sure the top rung is at least 30 mm above the roof edge. *Install the upper pair of consoles as high as possible. Max 600 mm from end of step to bracket.*



3. Joining ladders

Join the ladders with splice fittings (3) and 4 bolts (4) + nuts (5).



4. Final assembly

Install the remaining brackets (2) with max distance of c/c 2500 mm. *Max 600 mm from end of step to bracket.*

5. Fitting of end protector to ladder

Turn the step end protector (6) in the correct direction and press or tap securely in position using a rubber mallet.

