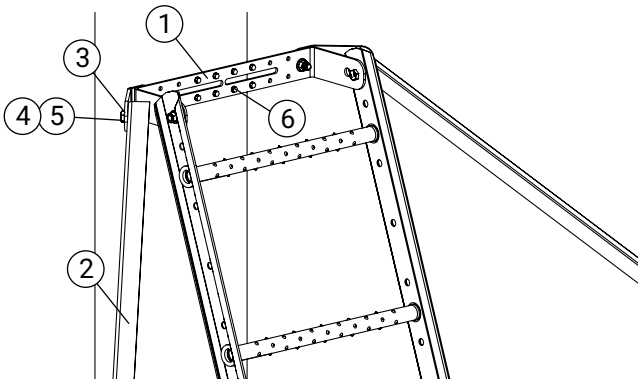


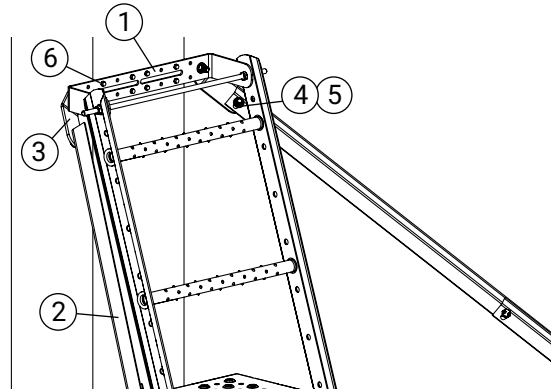
Part	Part. no.
1 Bracket, ladder to chimney	SF3913
2 Stay, ladder to chimney	SF1500
3 Angle bracket 55°, ladder to chimney	SF9646
4 Bolt M10x20	BU1020

Part	Part. no.
5 Nut M10	MU1000
6 Self-tapping screw 6.3x19	SS6191/SS6190
7 Standing platform	SP3040
8 Threaded rod M10	RB1010-00



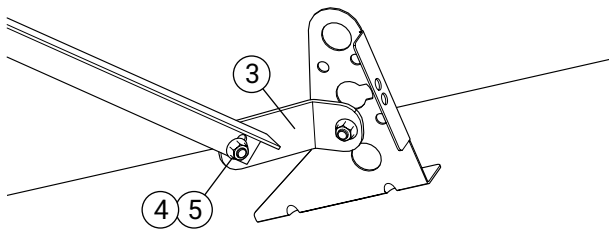
1. Installation on round chimney

Centre the ladder against the chimney. Install bracket ladder (1) on the chimney shroud using self-tapping screw (6). Angle bracket 55° (3) and brace ladder (2) installed using bolt + nut (4,5).



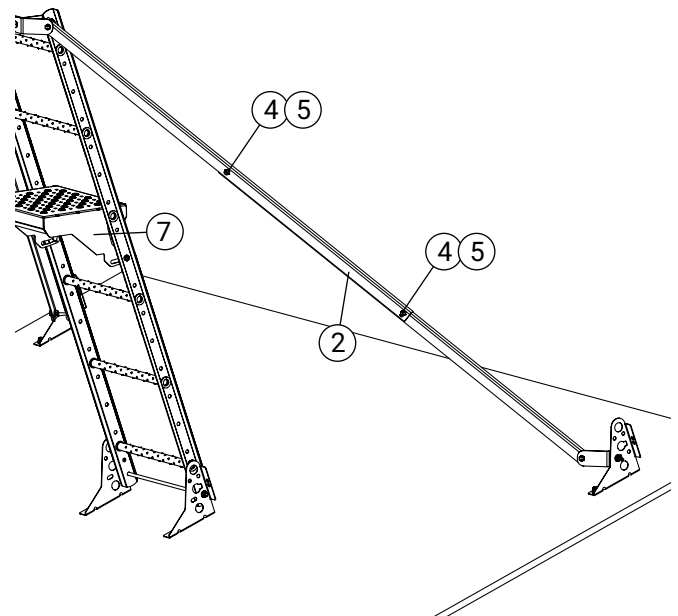
2. Installation to rectangular chimney

Centre the ladder against the chimney. Install bracket ladder (1) on the chimney shroud using self-tapping screw (6). Angle bracket 55° (3) and brace ladder (2) using bolt + nut (4, 5).



3. Attachment of ladder

Brace ladder (2) locks to the roof bracket using angle bracket 55° (3) and 4 nuts + bolts (4, 5).



4. Locking the ladder

The ladder locks to the threaded rod M10 (8) using 4 nuts (5).

5. Installation of the roof brackets

Install the roof bracket according to the separate assembly instructions. Ladder brace (2) is adjusted to the roof bracket so the ladder stands stably. Simultaneously drill 2 x Ø11 for locking the guiderails using 2 bolts + nuts (4, 5). Adjust the standing platform (7) so it is horizontal. The ladder can lean 20°.