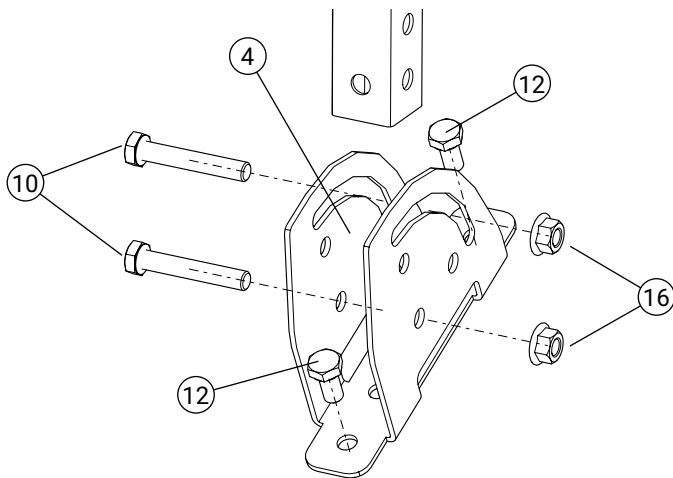


Part	Part no.
1 Support beam	EU0610/EU0910/ EU1210
2 Railing post	EU1100
3 Support leg	EU1000
4 Adjustable foot	EU0150
5 Slit plank type flooring	EU1231/EU2431
6 Railing tube	RR2723
7 Self-drilling screw 5 5x22	SS5221/SS5225

Part	Part no.
8 Top part, slit plank type flooring	EU1601
9 Self-tapping screw 5,5x100	SS5510
10 Bolt M10x60	BU1601
11 Joint	EU0330
12 Bolt M10x20	BU1201/BU1200
13 Bolt M8x20	BU0820
14 Flange nut M8	MU0801/MU0805

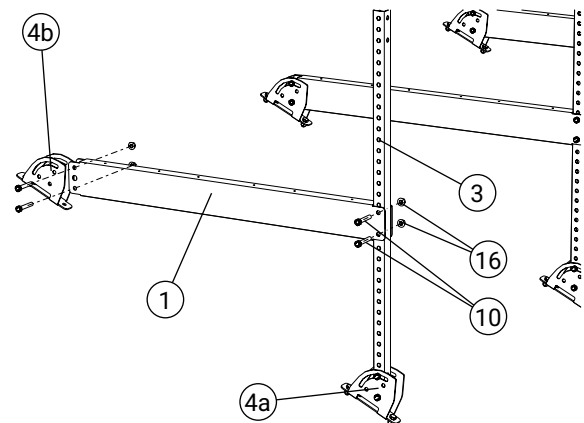
Part	Part no.
15 Railing post (end frame)	RS1100
16 Flange nut M10	MU1001/MU1010
17 Angle bracket	TS4000
18 Plastic cover	PL4545
19 Tube bend	RR2790
20 Coach bolt M10x30	VB1301/VB1305
21 OPTI sealing plate 360x450	TP3645

Read more about the fastenings in the relevant assembly instruction.



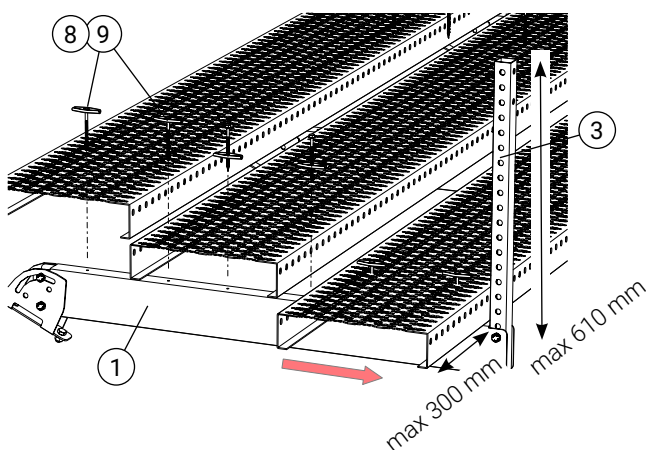
1. Installation overview for adjustable foot

The foot (4) is installed using bolt or bolt + nut (12,16) depending on the fastening. The railing post is installed using 2 M10x60 bolts (10) + nuts (16).



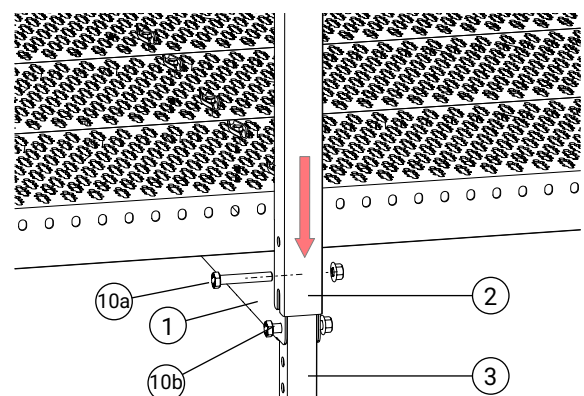
2. Installation of support beams and adjustable feet

First, install the lower foot (4a). The adjustable feet are adjustable for roof pitches up to 45°. Adjust the support leg (3) so it stands vertically in line and the support beam (1) is lying horizontally. Screw the support leg (3) in place using 2 bolts (10) and nuts (16). Install the upper foot (4b).



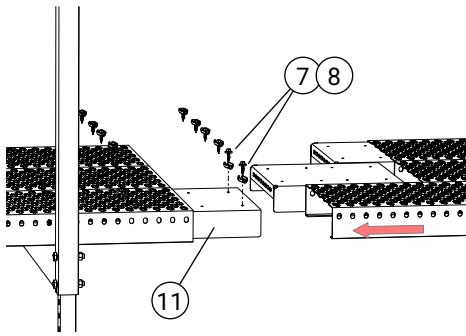
3. Installation of slit plank type flooring

Installed from the outside and in from the support leg. Screw in place using 2 self-tapping screws (9) with top part, slit plank type flooring (8) per slit plank and support beam. Approved overhang outside the support beam is max. 300 mm. Cut off the adjustable support leg (3) if it is higher than 610 mm above the support beam (1).



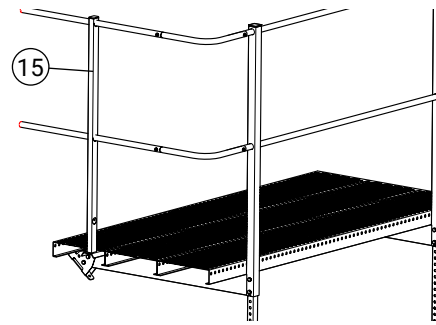
4. Installation of railing post

Remove the top bolt (10a) and loosen the lower bolt (10b). Place railing post EU1100 (2) on the support leg (3) and screw the bolts (10a, 10b) firmly into place.



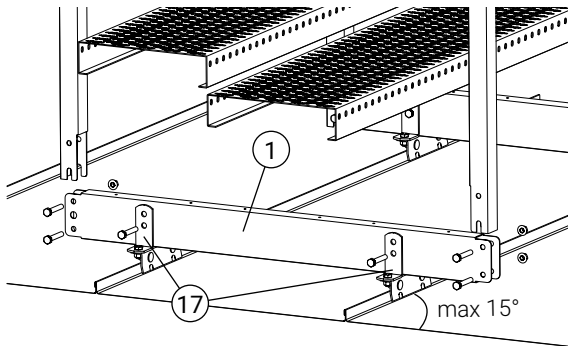
5. Joining slit plank type flooring

Slit type plank flooring screwed with joints (11) that are screwed in position using a self-tapping screw (7) and slit plank type flooring upper section (8).



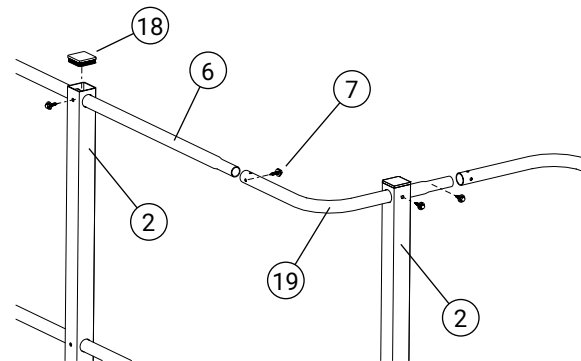
6. Railing that terminates on short side

For termination on short side, use Railing Post RS1100 (15). Fastens using 2 M8x20 bolts (13), top part, slit plank type flooring (8) and nuts (14) per railing post (15).



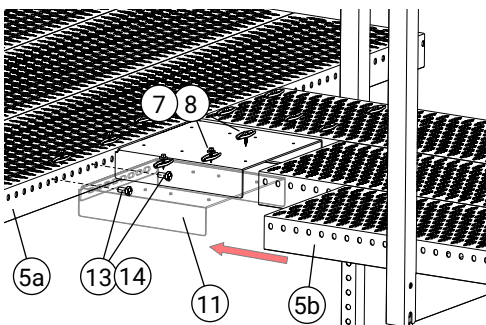
7. Installation of gangway along the slope of the roof

For roof slopes 0-15°, the evacuation gangway can be placed along the slope of the roof. Use Support Beam (1), angle bracket (17) and recommended fastening.



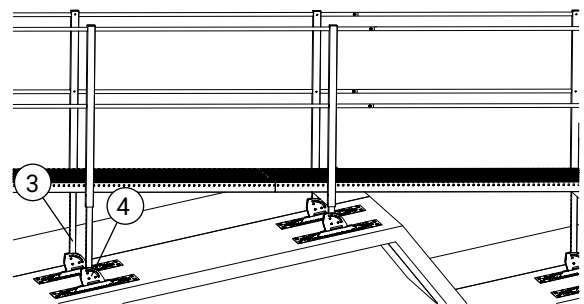
8. Assembly of railing tube and tube bend

Secure railing tube (6) in place using self-tapping screw (7) in the railing post (2). Use tube bend (19) for inner or outer corner. Fit plastic cover (18) on the railing posts (2).



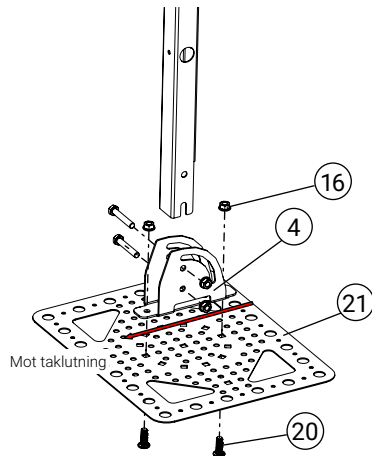
9. Joint long side

Install the joints (11) against the long side of the slit plank type flooring (5a) using M8 bolt (13) and nut (14). Fasten plank type flooring (5b) using top section slit plank type flooring (8), and self-tapping screw (7).



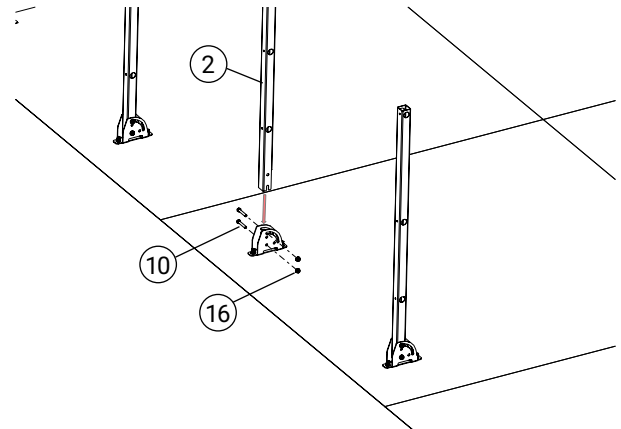
10. Horizontal gangway in the direction of the roof fall

For example, across roofs with more than one ridge. Install adjustable feet (4) and adjust the support legs (3) until they are vertical. Then, install the support beams and check that they are horizontal.



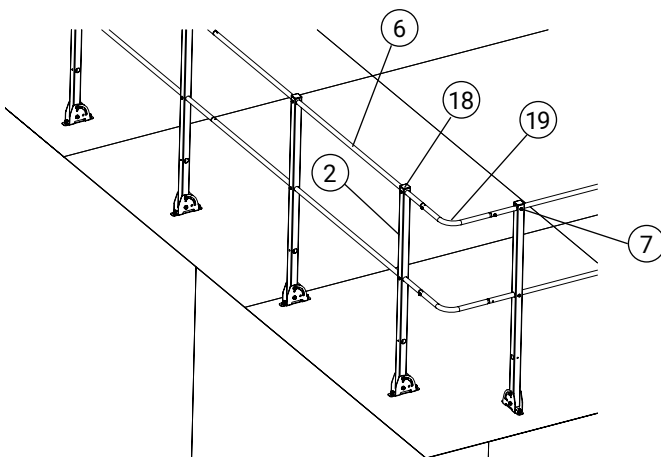
11. Mounting overview Evacuation gangway with adjustable foot

The foot (4) is mounted with a bolt or bolt + nut (20,16) depending on the attachment.



12. Mounting of the railing post

The railing post (2) is mounted with 2 bolts M10x60 (10) and nuts (16).



13. Assembly of railing tube and tube bend

Secure railing tube (6) in place using self-tapping screw (7) in the railing post (2). Use tube bend (19) for inner or outer corner. Fit plastic cover (18) on the railing posts (2).