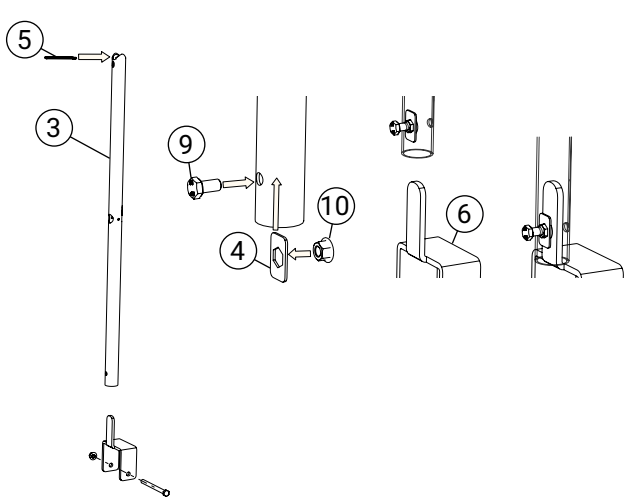


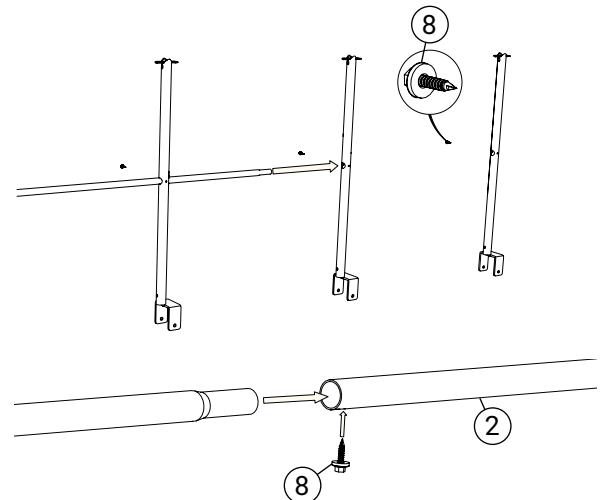
Part	Part. no.
1 Railing tube 42 mm	RR4230
2 Railing tube 27 mm	RR2723
3 Railing post	WF1142
4 Locking washers M10	UL4201
5 Washer	WF4200
6 Single bracket	UL1000

Part	Part. no.
7 Internal tube pin	IT0042
8 Self-tapping screw 5.5 x 22	SS5221/SS5225
9 Bolt M10 x 20	BU1201/BU1200
10 Flange nut M10	MU1001/MU1010
11 Plastic cap 42 mm tube	PL0042
12 Plastic cap 27 mm tube	PL0027



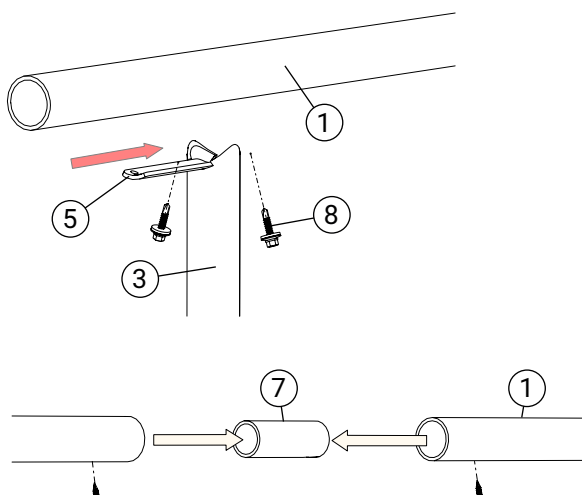
### 1. Locking railing

Bolt the brackets to the L support using through screw M12x140 and nut M12. Use railing separation of approx. 1000 mm. Mount the locking devices (4, 5, and 10) in the posts, thread on and tighten.



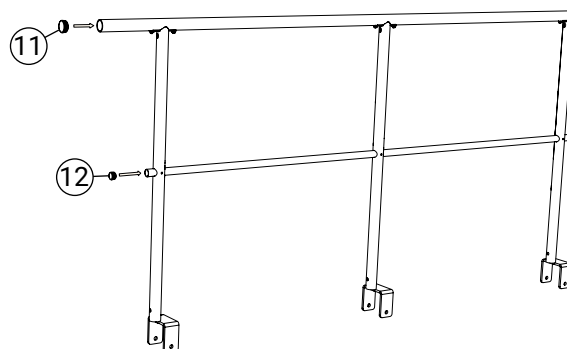
### 2. Installation of followers

The followers are inserted through the posts and locked with self-tapping screw (8)



### 3. Installation of handrails

Insert the lock (5) into the post (3). Handrail (1) is placed on the posts and screwed from below using 2 self-tapping screws (8). Joining is done using internal tube pin (7) and self-tapping screw (8).



### 4. Fitting plastic cover

Fit plastic cover (11 or 12).