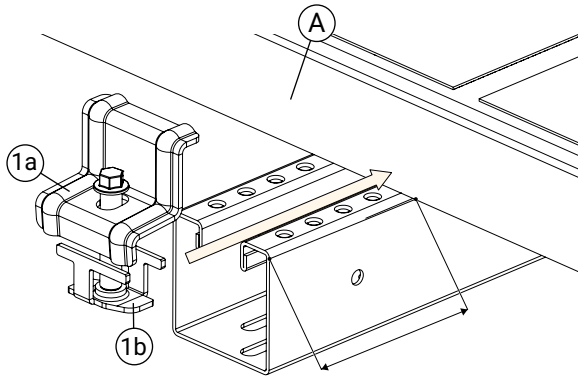


| Part | Part. no. |
|----------------|-----------|
| 1 End clamp | KL1000 |
| 2 Centre clamp | KL2000 |

| Part | Part. no. |
|----------------------|---------------|
| 3 Plastic end cap | PL5050 |
| 4 Self-tapping screw | SS6191/SS6190 |

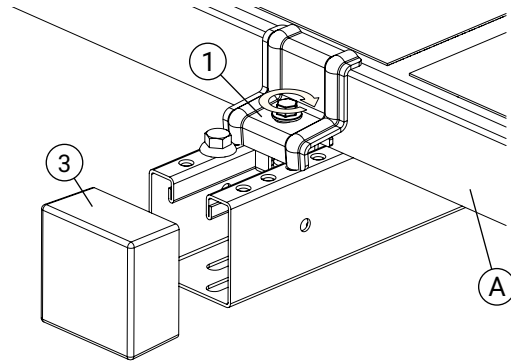
Observe the Swedish Work Environment Authority's rules! All work at heights above 2 m must be carried out with falling protection. Weland Stål can help you create a safe workplace.

Installation of end clamp



1. Snatching of end clamp

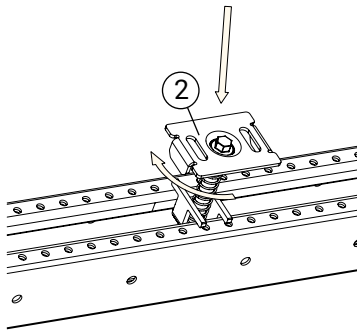
Let the rail protrude at least 70 mm outside the panel frame. Insert the lower section (1b) into the rail and place the upper section (1a) against the panel side (A). The upper section (1a) can be turned to accommodate different solar cell heights.



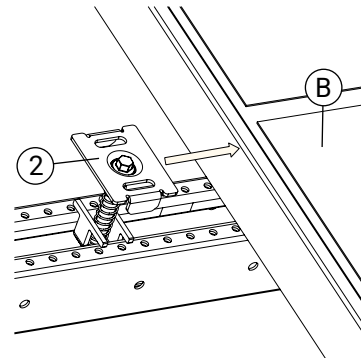
2. Tightening the clamp

Tighten the end clamp (1) with 10 Nm. For vertical rails and steeper roof/facade mounting, the clamp can be supplemented with a stop screw (4). Press the plastic end cap (3).

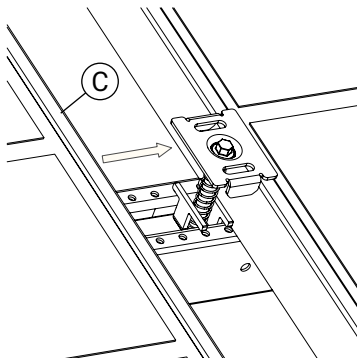
Installation of centre clamp



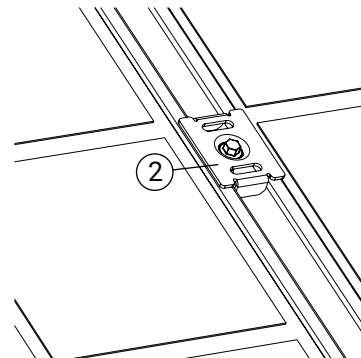
1. Press the centre clamp (2) down and turn it 90°.



2. Place the centre clamp (2) against the first panel (B).



3. Place it against the second panel (A).



4. Torque tighten the clamp (2) 10 Nm.