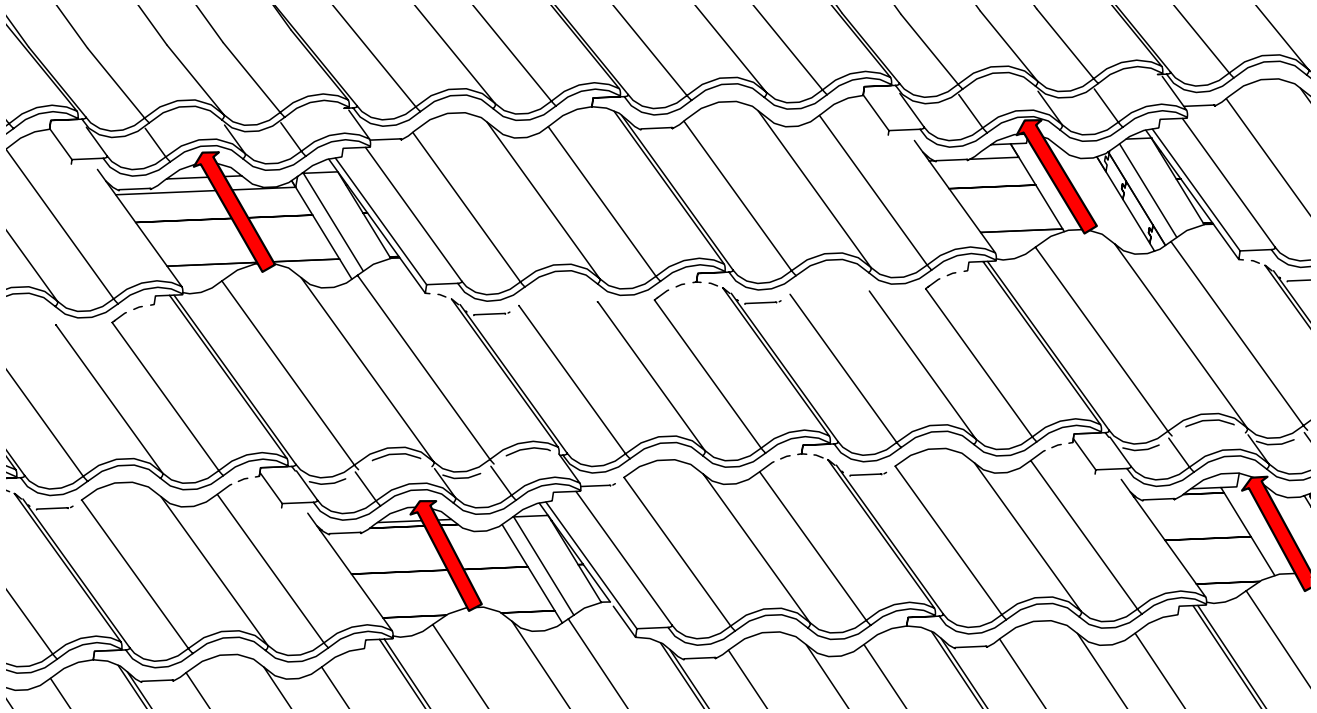


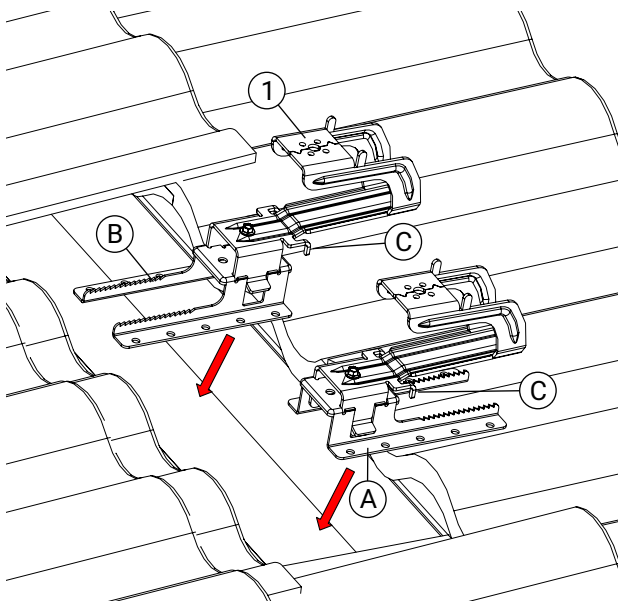
Part	Part no.
1 Pantile mount	PF1400
2 Wood screw hex head 6x30 mm 10/100/1000-pack	TS6301/TS6310/ TS1000
3 Solar cell system attachment rail	IS2450

Part	Part no.
4 Self-tapping screw 6.3x19 mm 10/100/1000-pack	SS6191/SS6190/ SS1000
5 Spacer washers 50-pack	MB5050
6 Self-tapping screw spacer washer	SS6380



### 1. Prepare for installation of Pantile mount

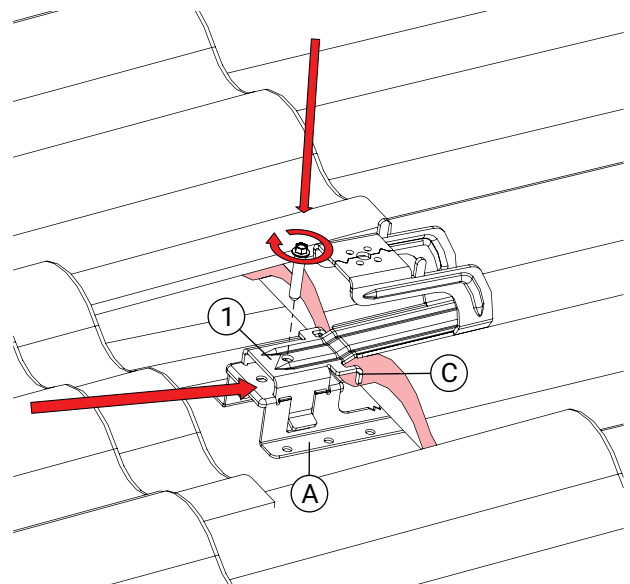
Push the tiles up at a distance where the attachments are to be installed based **on snow and wind load calculation**.



### 2. Adjust the roof Pantile mount

To adapt the mounting to the roof batten, install the roof pantile mount according to option (A).

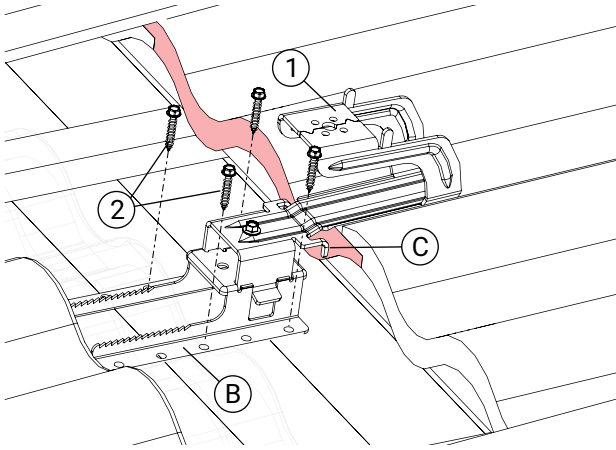
To adapt it to under-roof, flip the lower part and install the roof pantile mount according to option (B).



### 3. Install on batten bracket (A)

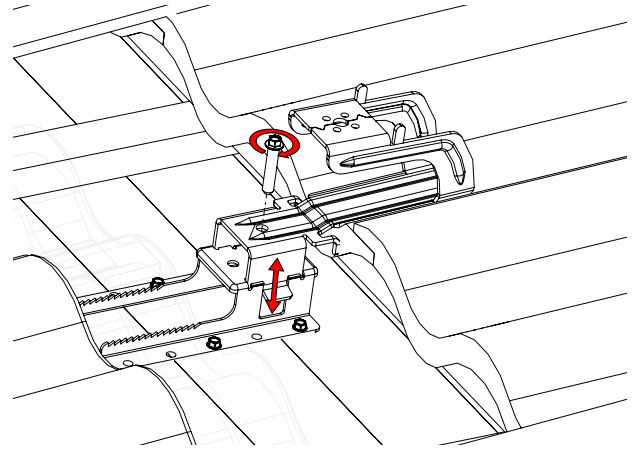
Adjust the roof pantile mount (1) so that the lugs (C) rest against the upper edge of the lower pantile.

Fasten the roof pantile mount (1) so that the barbs grip the underside of the roof batten. Tightening torque: 2 Nm.



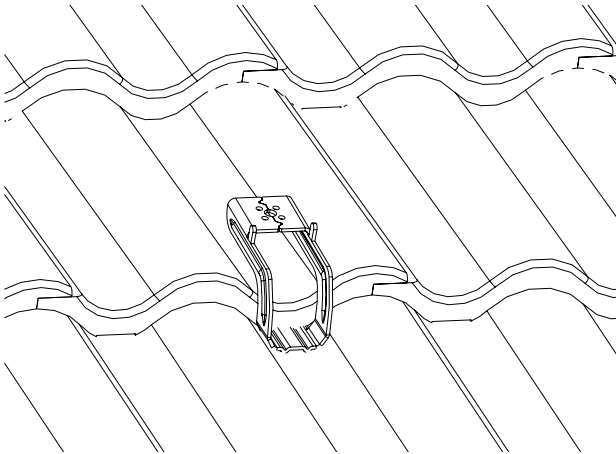
#### 4. Install on under-roof (B)

Adjust the roof pantile mount (1) so that the lugs (C) rest against the upper edge of the lower pantile.  
Secure the lower part with 4 wood screws (2).



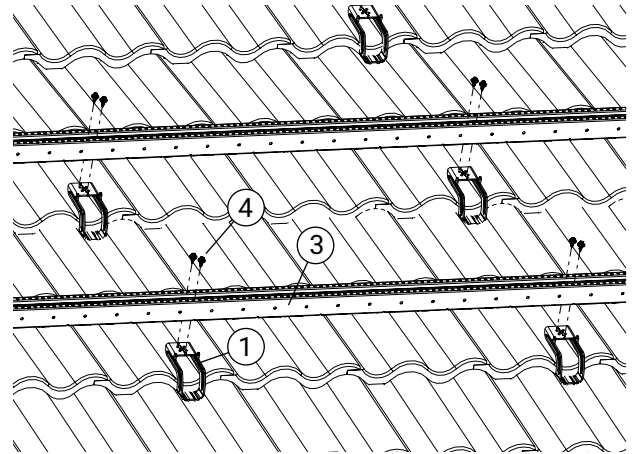
#### 4a. Adjust the roof Pantile mount

Fasten the roof pantile mount (1) so that it rests against the lower pantile. Tightening torque: 2 Nm.



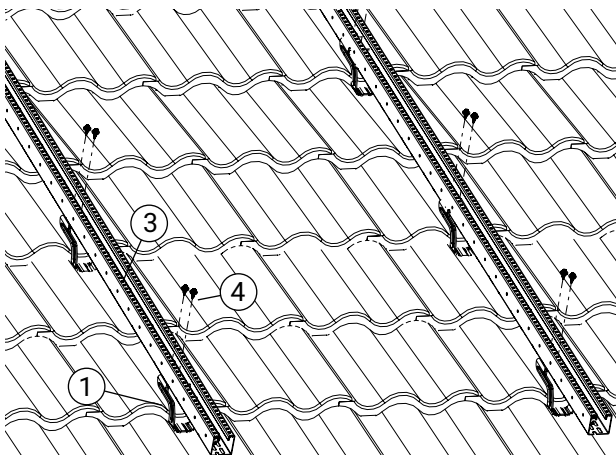
#### 5. Install Pantile mount

Push the overlying pantile back.



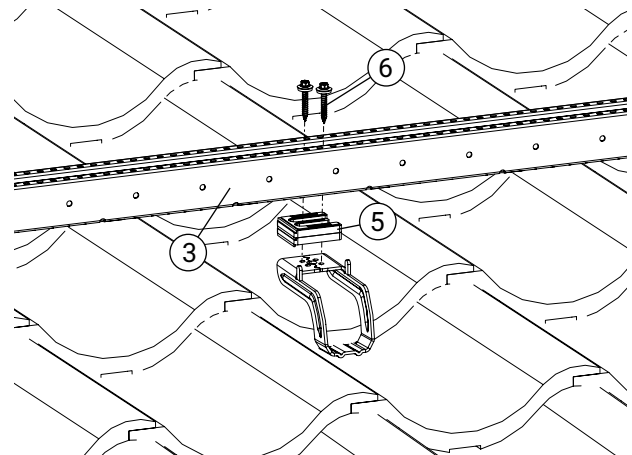
#### 6 a. Installation of horizontally positioned rail

Screw the rail (3) to each pantile mount (1) using 2 self-tapping screws (4).



#### 6 b. Installation of vertically positioned rail

Screw the rail (3) to each pantile mount (1) using 2 self-tapping screws (4).



#### 7. Installation on single cup pantile

For single cup pantile, one spacer washer (5) can be used so that the rail (3) is above the peaks. The spacer washer is fastened with 2 self-tapping screws 6.3x38 (6).  
Maximum height is 25 mm.