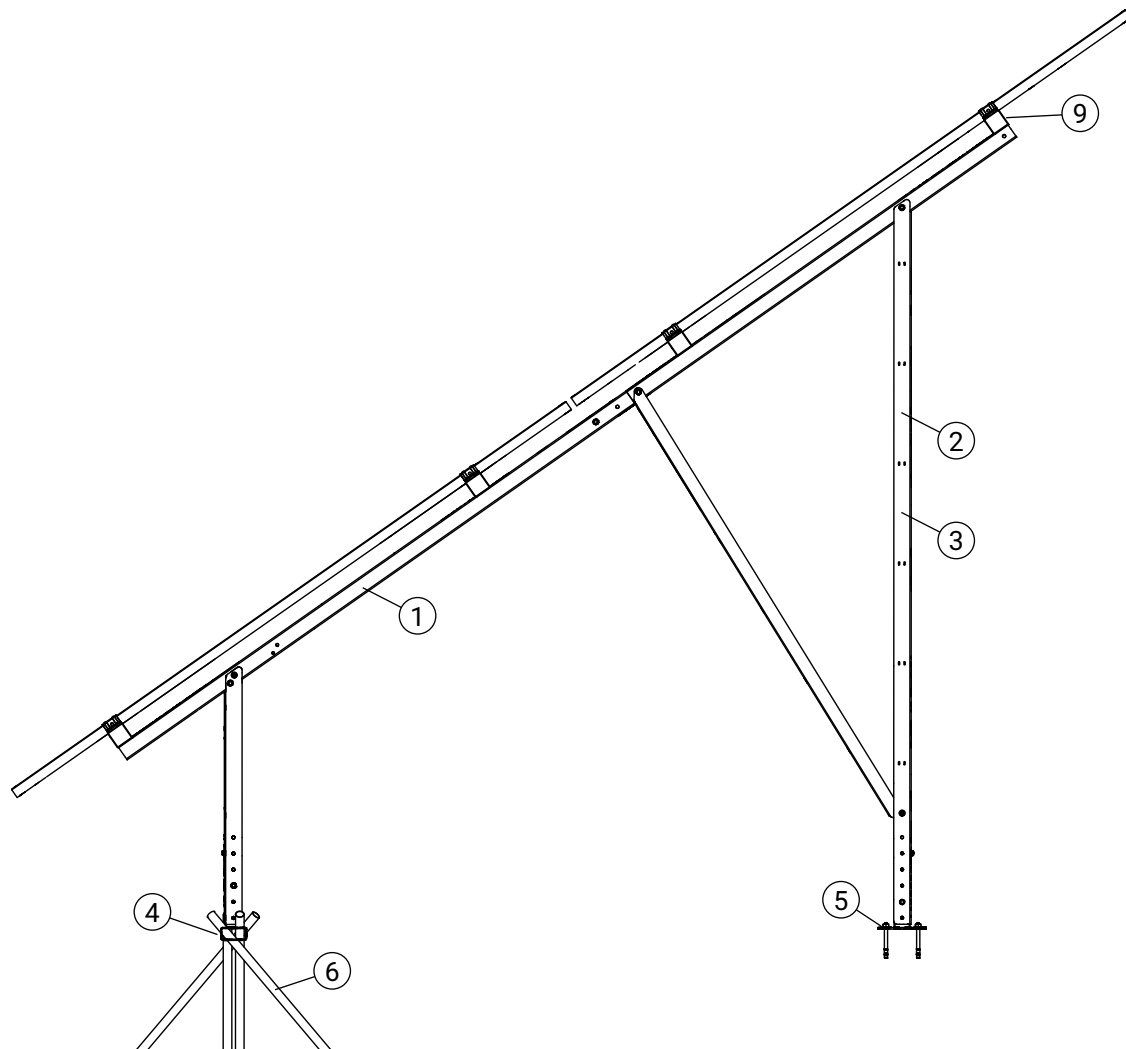


Part	Part. no.
1 Front section	MM2010
2 Rear section – small	MM2020
3 Rear section – large	MM2030
4 Ground base – ground pipe 240 mm	MM2024
5 Ground base – top-mounted 240 mm	MM1524
6 Ground pipe Ø27 mm	RR2711
7 Cross braces c/c 2200 mm	MM2400
8 Ground-mount template	MM5060

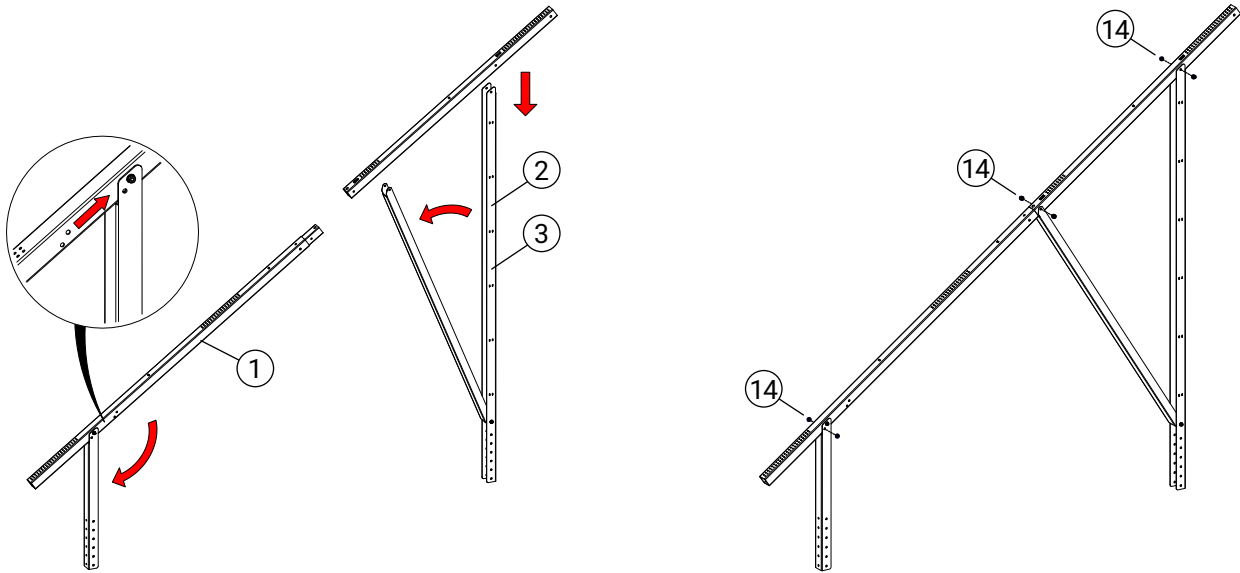
Part	Part. no.
9 Solar cell rail	IS2450
10 End clamps	KL1000
11 Centre clamp	KL2000
12 Plastic cover	PL5050
13 Self-tapping screw 6,3x19 mm 10/100/1000-pack	SS6191/SS6190/ SS1000
14 Self-tapping bolts 8.6x16 mm, 12-pack	BU8161

Observe the Swedish Work Environment Authority's rules! All work at heights above 2 metres must be carried out using fall protection. Weland Stål can help you create a safe workplace.



Installation Instructions. Ground-mounted solar panel system – double row

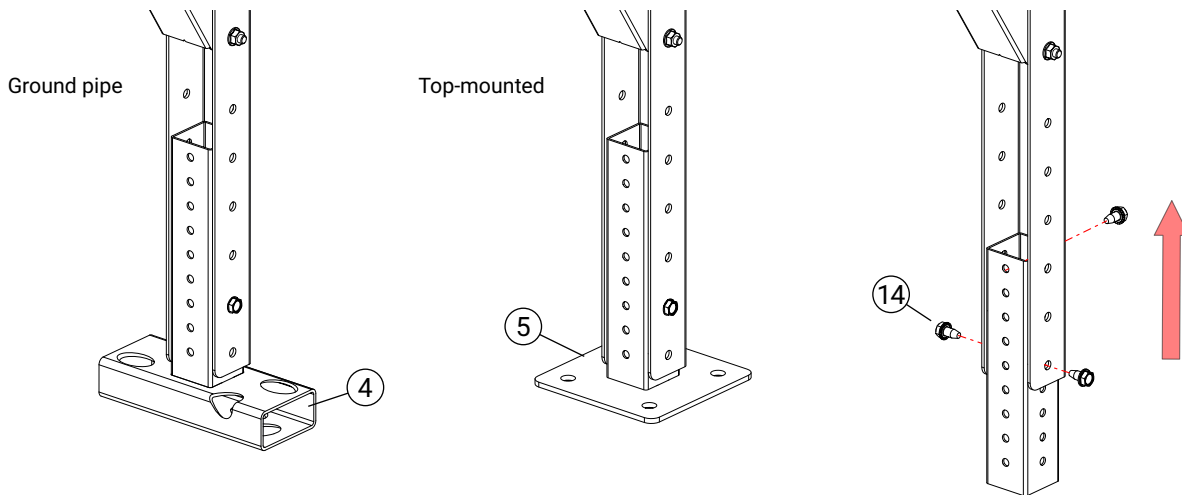
Observe the Swedish Work Environment Authority's rules! All work at heights above 2 metres must be carried out using fall protection. Weland Stål can help you create a safe workplace.



1. Assemble the frame

For panel lengths greater than 2100 mm, move the front post one step and reuse the preassembled bolt and nut.

Angle out the preassembled components and join the front section (1) with the rear sections (2)(3) using a total of 6 self-tapping bolts (14). Retighten the preassembled bolt and nut.

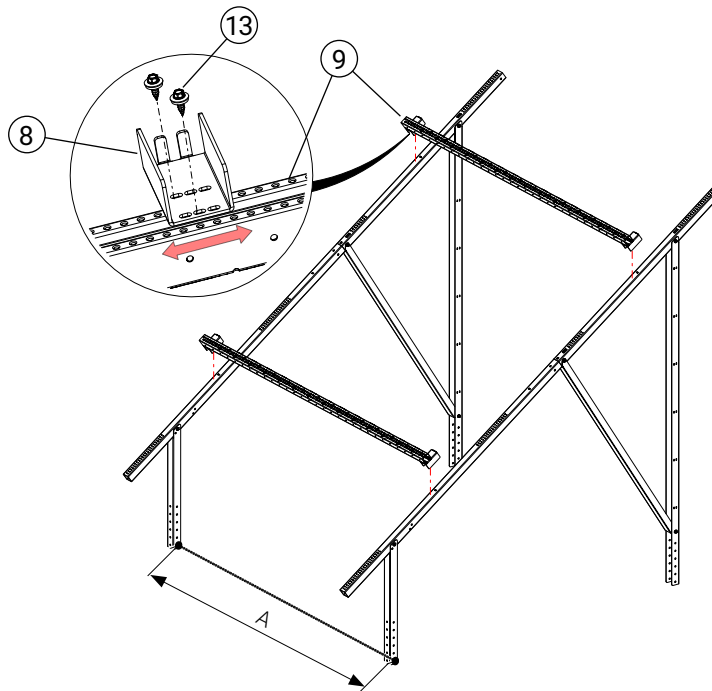


2. Install the ground anchoring

Install the ground base (4)(5) with 3 self-tapping bolts (14), one on each side.

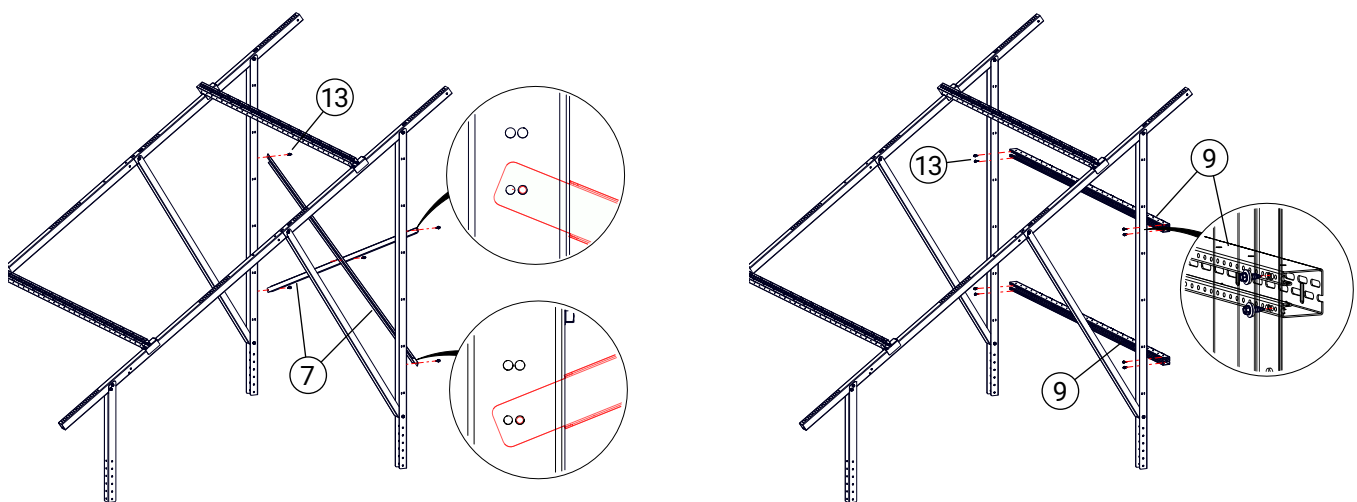
Minimum overlap is 100 mm.

Observe the Swedish Work Environment Authority's rules! All work at heights above 2 metres must be carried out using fall protection. Weland Stål can help you create a safe workplace.



3. Position the frame

Attach the template (8) to an attachment rail (9) with a c/c distance according to A, as specified on the last page of the installation instructions. Place the template between the two frame assemblies.

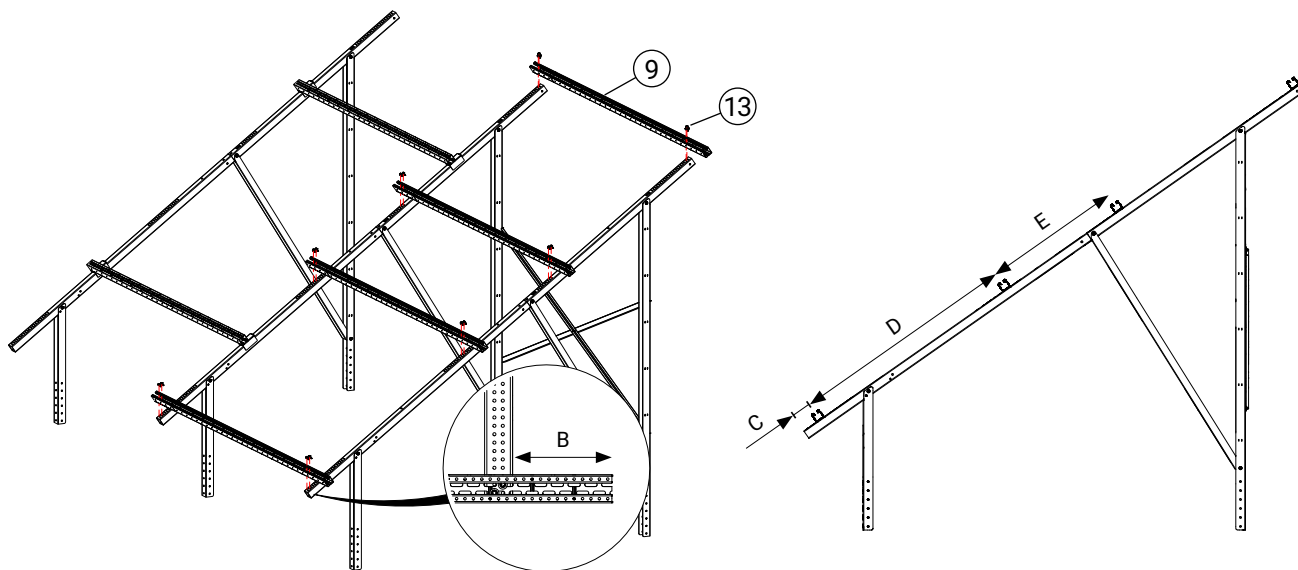


4. Install cross braces

If applicable, install the cross braces (7) as shown in the image using 5 self-tapping screws (13).

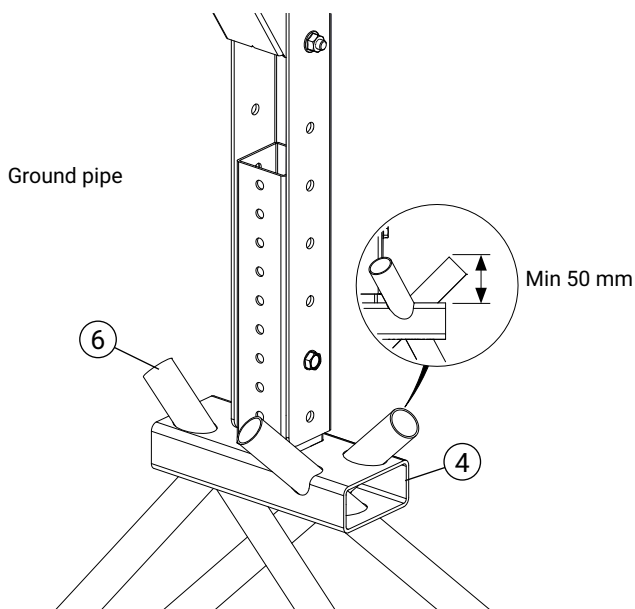
For c/c distances shorter than 2150 mm, use the rail (9) for bracing. Install as shown in the image using a total of 8 screws (13).

Observe the Swedish Work Environment Authority's rules! All work at heights above 2 metres must be carried out using fall protection. Weland Stål can help you create a safe workplace.



5. Install mounting rails

Position the mounting rail (9) according to the table on the last page and the accompanying project drawing. Fasten the rails to the frame with 2 self-tapping screws (13) at each cross connection. Slide the rail sections together and secure the joint with 4 screws (13).



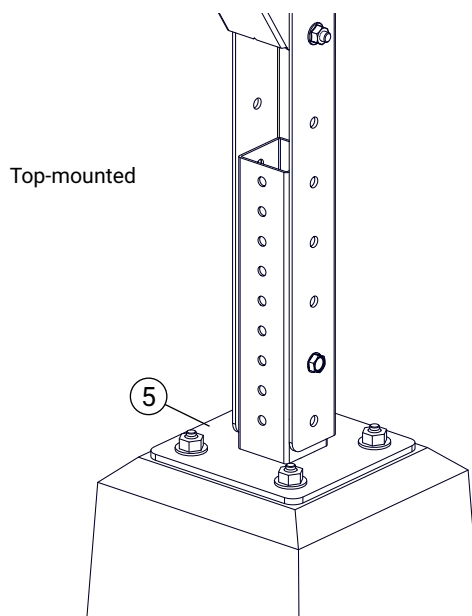
6a. Installation of ground pipes

Drive the ground pipes (6) through the ground base (4) and into the ground, leaving a minimum height of 50 mm.

2 pipes at the front and 4 at the rear.

Suggested tool:

Ironside SDS+ Ø27.5 ground spike driver

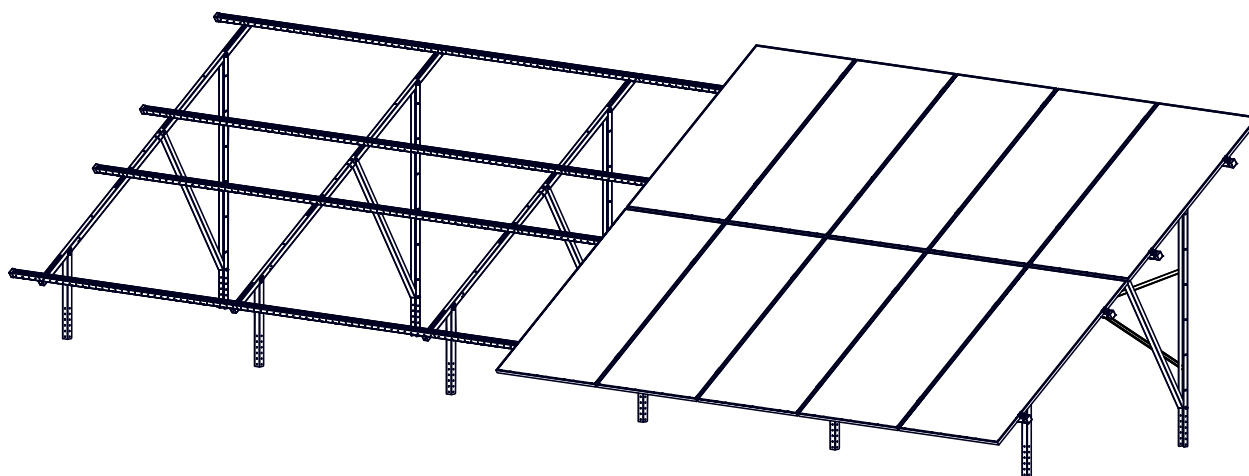


6b. Installation of top-mounted ground base

Install the top-mounted ground base (5) onto a stable ground anchoring.

The ground anchoring and fasteners are not included.

Observe the Swedish Work Environment Authority's rules! All work at heights above 2 metres must be carried out using fall protection. Weland Stål can help you create a safe workplace.



7. Installation of solar panels

To complete the installation of the ground-mounted system, install the solar panels on top of the cross-mounted rails according to **MA5111**.

Dimensions table – double row ground-mounted system

Panel width: 1134 mm.

Layout	Number of panels	Number of frames	Total width	Frame C/C [A]	Overhang [B]
6x2	12	4	7.040	2.200	197
7x2	14	5	8.200	1.950	170
8x2	16	5	9.350	2.200	251
9x2	18	6	10.510	2.020	170
10x2	20	6	11.660	2.200	305
11x2	22	7	12.810	2.070	170
12x2	24	7	13.970	2.200	359
13x2	26	8	15.120	2.110	170
14x2	28	8	16.280	2.200	413
15x2	30	9	17.430	2.130	170
16x2	32	9	18.580	2.200	467
17x2	34	10	19.740	2.150	170
18x2	36	10	20.890	2.200	521
19x2	38	11	22.050	2.170	170
20x2	40	11	23.200	2.200	575
21x2	42	12	24.350	2.180	170
22x2	44	12	25.510	2.200	629
23x2	46	13	26.660	2.190	170
24x2	48	14	27.820	2.110	170
25x2	50	14	28.970	2.200	170