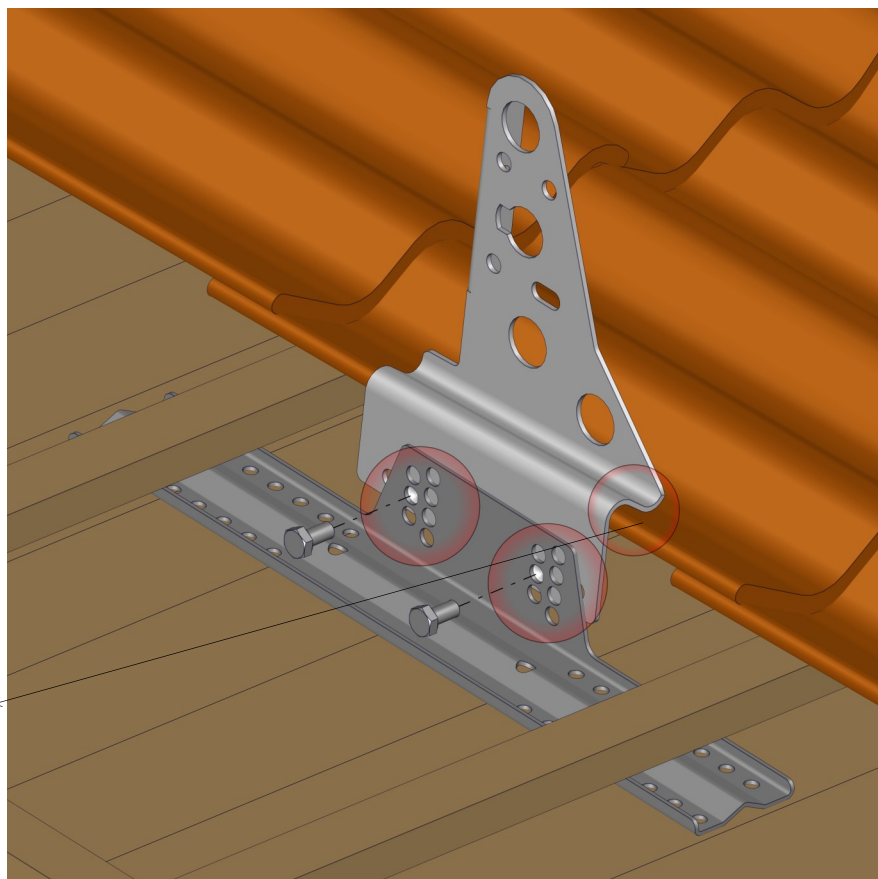
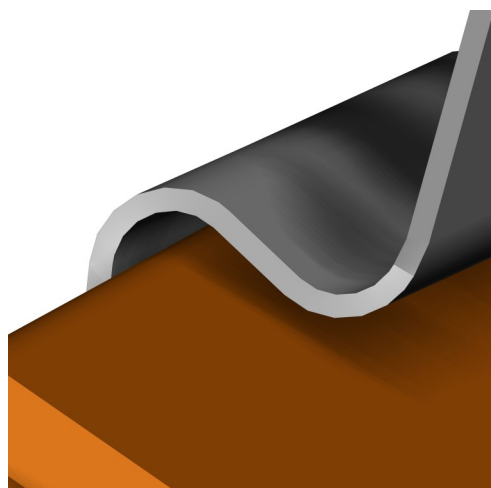


The footplate is screwed to under-roofs in tongued and grooved boards, min. 17 mm or plywood min. 12 mm.

Adjust the height of the mount so it fits against the roofing tile. Make sure there is a gap of approx. 2-3 mm. Attach the bracket to the mount using 2 M10x20



Screw the mount to the under-roof using 10 6x35 mm wood screws. **NOTE!** 2 screws at each end and the rest evenly distributed across the holes. **Use a screwdriver with a deep stopper base so the screw doesn't go round and lose its grip.**

Follow the tile manufacturer's advice on eventual notches in the tile.

