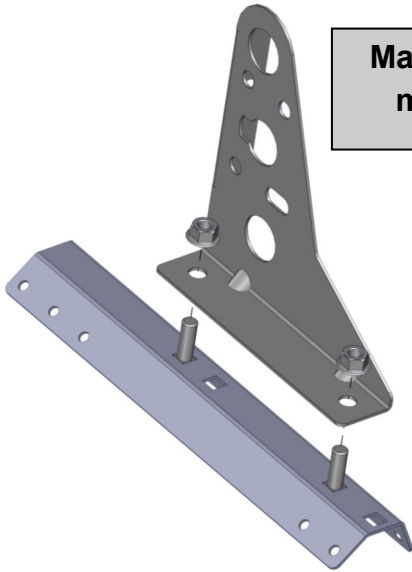


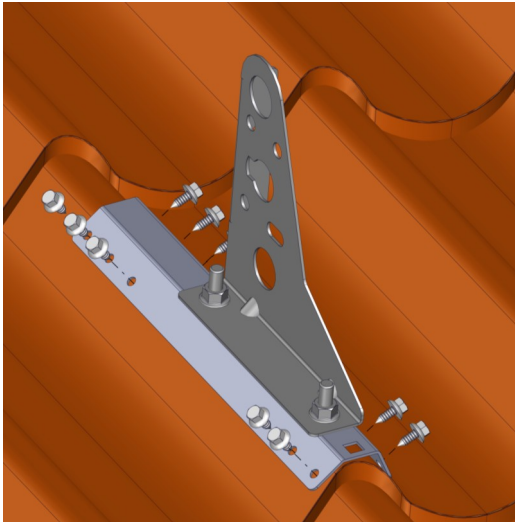
## Fixing profile

## Fixing plate

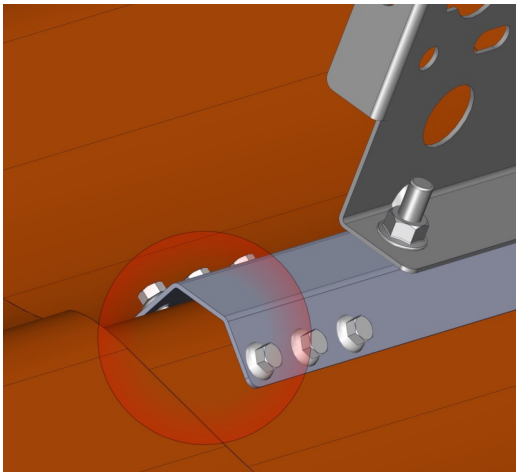
**Max. distance between mounts 1200 mm. Minimum thickness 0,5 mm.**



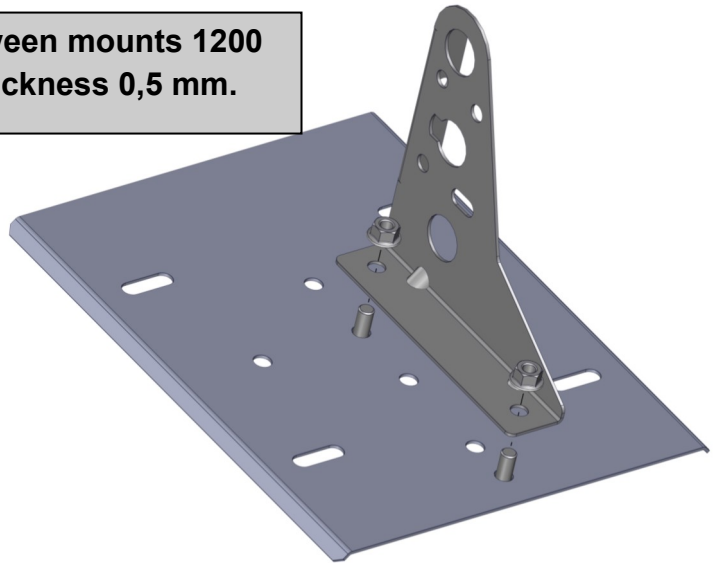
Attach the bracket to the fixing profile using 2 coach bolts M10x30 + nuts.



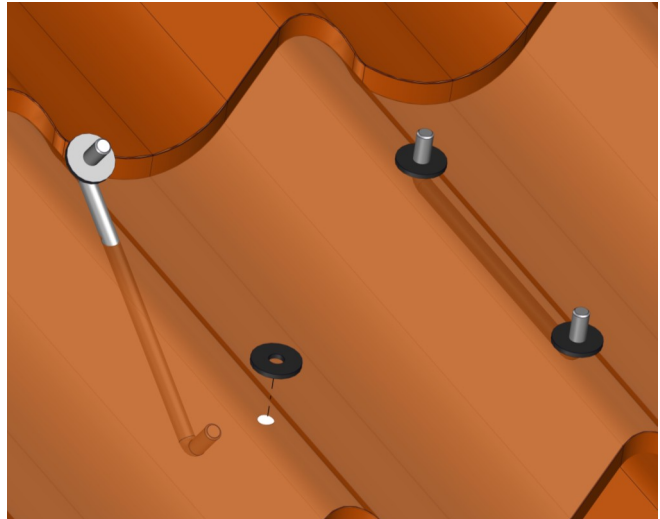
Then screw the fixing profile to the spine of the roofing plate using 10 6.3x19 self-drilling plate screws. If the plate is 0.7 mm or thicker, self-drilling 5.5x22 mm screws can be used.



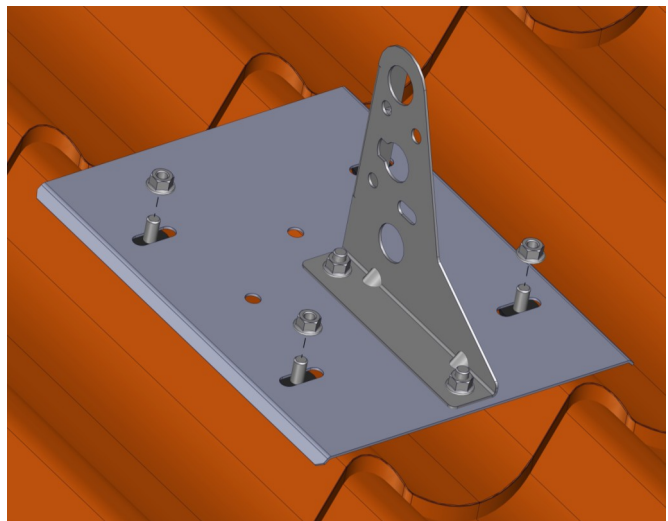
The air pocket at the top, between plate and profile, can be filled with sealing compound.



Attach the bracket to the fixing profile using bolts 2 M10x20 + nuts.



Drill holes for the mounting bolts and pass through the holes and thread on rubber wash-



Then, attach the fixing plate using 4 nuts.