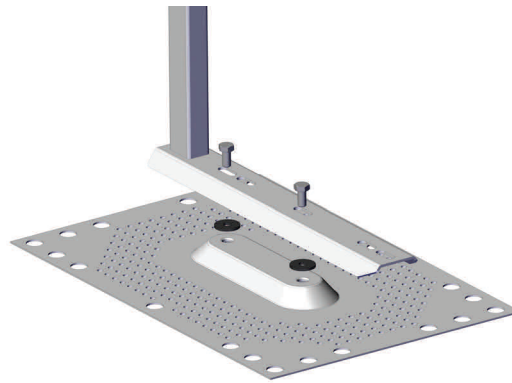


Knock the plastic plug into the top.



Assembly directly on to sealing plate.

The sealing plate is installed in advance according to the appropriate assembly instructions for the roof. After this, mount the gangway baluster using 2 M10 bolts and rubber washers.

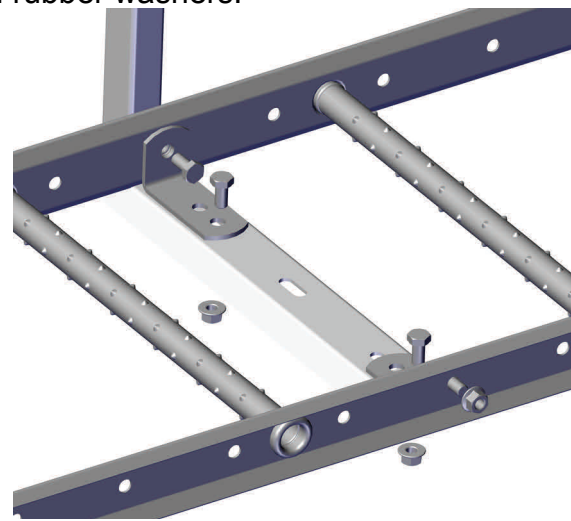


Assembly on gangway.

The gangway railing is attached to the underside using 2 M10x20 bolts + nuts. The support brace is mounted using 1 M10x20 bolt + nut and self-drilling steps. **1 brace/section.**

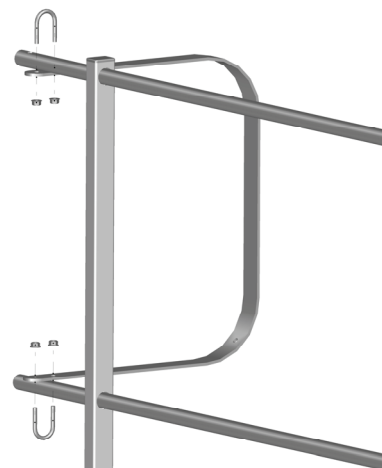


Push the railing tubes in the holes and lock the holes with self-drilling screws in each hole. The railing tubes are pushed into each other and locked in place using M8x40 bolt and nut.



Assembly on ladder.

The railing is assembled using 2 mounting brackets and 4 M10 bolts with nuts.



The end bow is secured to the railing tube using two U-fittings and 4 M8 nuts.