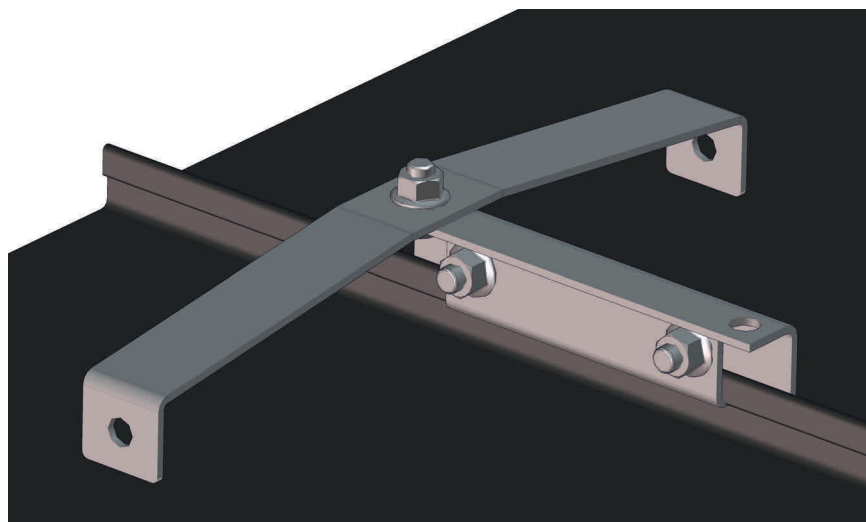




Screw the tread surfaces to the sidepieces. Use the middle hole in the tread surface (c/c 360 mm between the sidepieces). The tread joints are assembled with an overlap. Use M10x20 bolts and M10 flange nuts.



Make sure the heels on the standing seam mount are placed below the standing fold. Tightening torque min. 20 Nm. Max. 2.5 m between fixings. Screw the cross brace to standing seam mount and the ladder, using M10x20 bolt and M10 flange nut.

