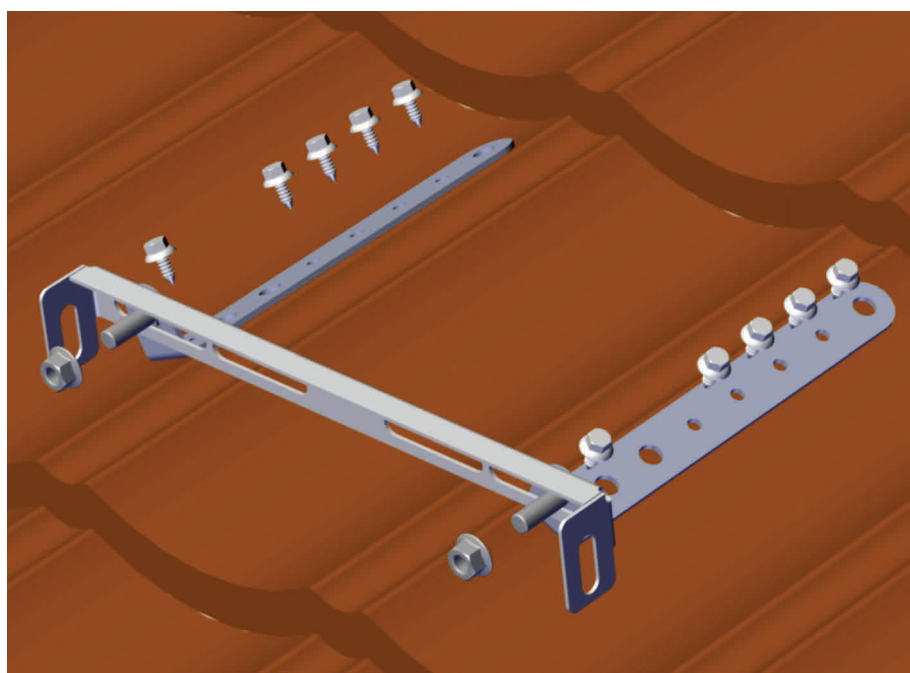
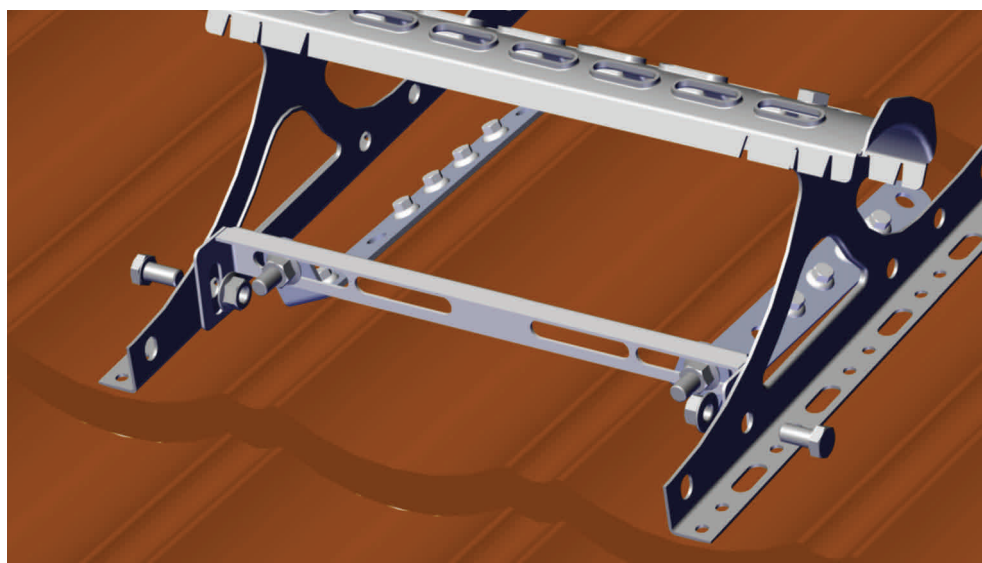




Screw the tread surfaces to the sidepieces. Use the middle hole in the tread surface (c/c 360 mm between the sidepieces). The tread joints are assembled with an overlap. Use M10x20 bolts and M10 flange nuts.



Screw the cross brace to fixing profile, using M10x30 coach bolt and M10 flange nut. The fixing profile is screwed to the roofing plate using 5 6.3x19 mm self-drilling screws. The roofing plate must be at least 0.5 mm steel plate. If the plate is 0.7 mm or thicker, self-drilling 5.5x22 mm screws can be used. At least 2 cross braces must be mounted on every ladder.



Screw the ladder to the mounted cross brace. Each continuous ladder must be fastened to the roof at the top and the bottom.