

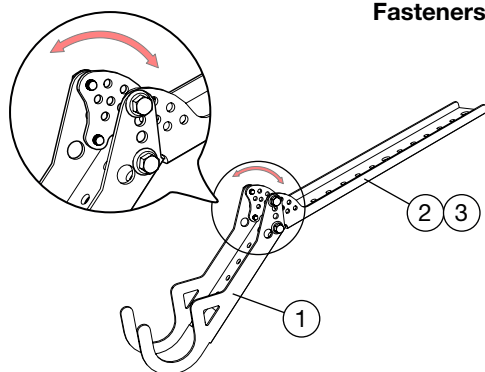
	Part	Part. no.
1	Anti-slip Guard, Hook	GS6001
2	Anti-slip Guard, Bracket	GS6002
3	Anti-slip Guard, Bracket long	GS6003
4	Bolt	BU1020

	Part	Part. no.
5	Nut	MU1000
6	Coach bolt	BV1030
7	Rubber washer	GB0010
8	Wood screw	TS6351

	Part	Part. no.
9	Staps	SS6191

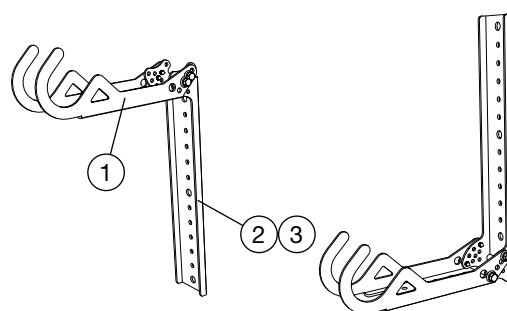
The anti-slip guard can be installed in several different ways. It is best installed on one of our fasteners (the fasteners must be installed according to the matching installation instruction).
The assembly must withstand a load of 150 kg in all directions. Adjust the anti-slip guard so it fits against any gutter and so the ladder can be hooked on without interference.

Fasteners, see the relevant assembly instruction.



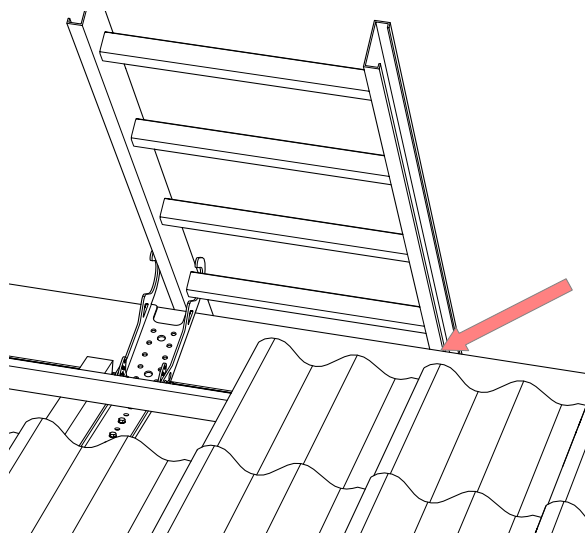
Roof placement

Hook and bracket are fitted together for roof placement. Adjust the angle by assembling in different holes.



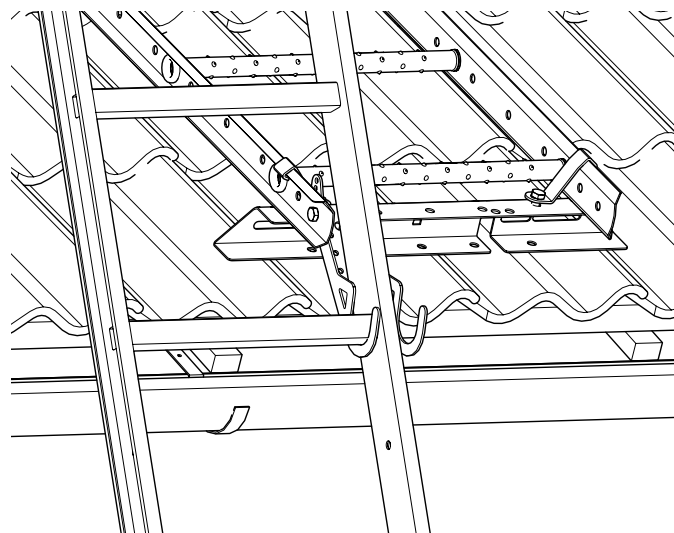
Wall placement

Different angles for assembling hook and bracket for wall placement. Adjust the angle by assembling in different holes.



Ladder placement

Both sides of the ladder should rest against the roof or gutter. Adjust the hook so it grips round the rung.



Installation material

Fasteners (bolts, nuts, screws) shall be approved for 15 years at corrosivity class C3. SE-EN ISO 12944-2
Fasteners that are built in or concealed shall be corrosivity class C4 for 15 years or better. SE-EN ISO 12944-2

	Part	Part. no.
1	Anti-slip Guard, Hook	GS6001
2	Anti-slip Guard, Bracket	GS6002
3	Anti-slip Guard, Bracket long	GS6003
4	Bolt	BU1020

	Part	Part. no.
5	Nut	MU1000
6	Coach bolt	BV1030
7	Rubber washer	GB0010
8	Wood screw	TS6351

	Part	Part. no.
9	Staps	SS6191

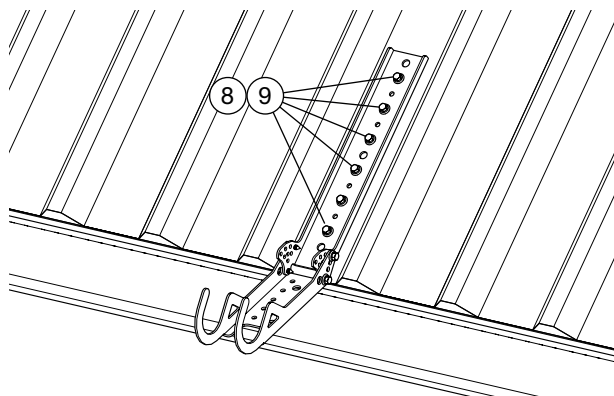
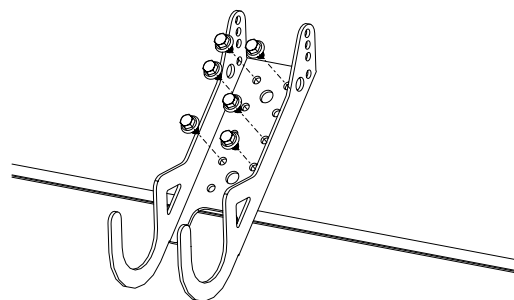


Plate or grooved board

Directly installed on roof or plate.

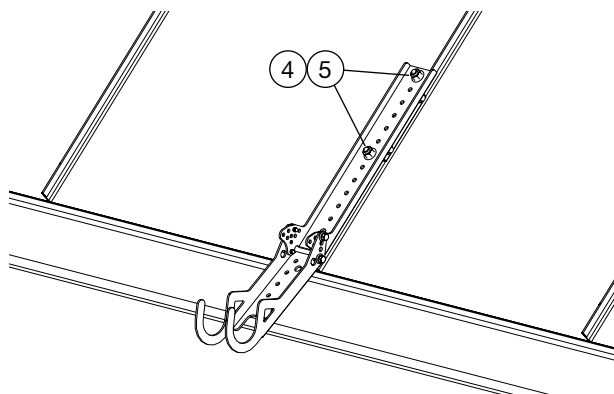
Fasteners: At least 5 $\geq \text{Ø}5 \times 15$ mm plate screws (9) or $\geq \text{Ø}5 \times 25$ mm wood screws (8) for grooved board.



No gutter

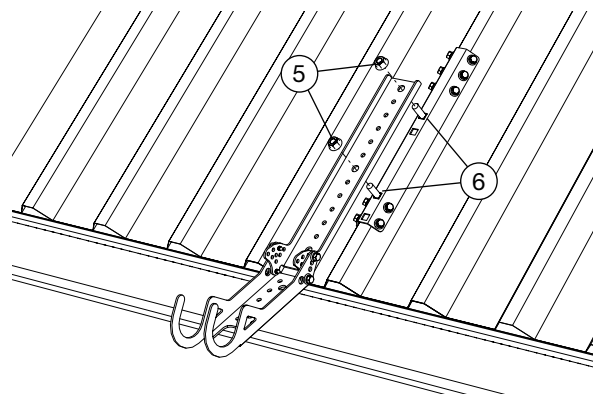
Directly installed on the roof.

Fasteners: At least 6 min. $\geq \text{Ø}5 \times 25$ mm screws.



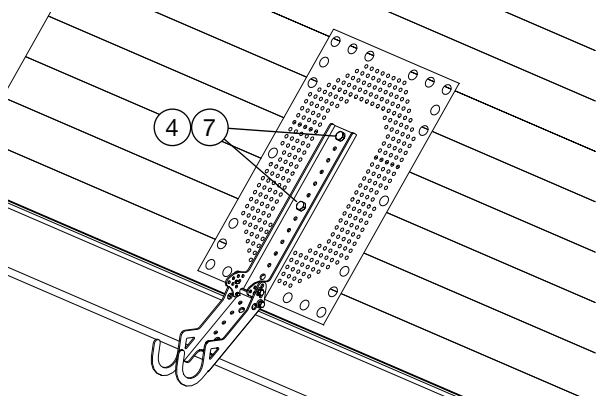
Standing seam mount on long strip roofing

Fasten in place using 2 M10 bolts + nuts (4,5).



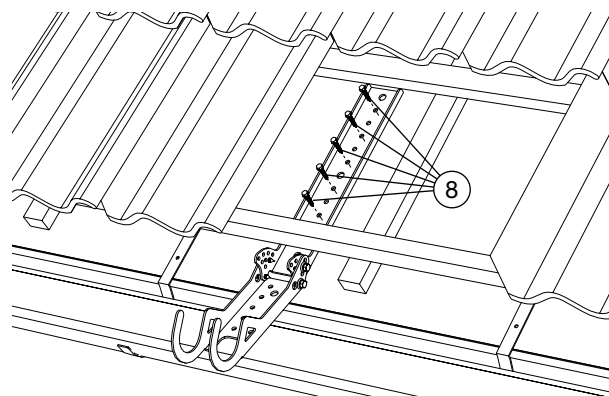
IP profile on metal roof

Fasten in place using 2 M10 coach bolts + nuts (6,5).



Sealing plate on tar paper roof

Fasten in place using 2 M10 bolts + rubber washers (4,7).
Adjust height and angle to the rung.



Directly installed on grooved board

5 wood screws (8). Adjust height and angle to the rung.