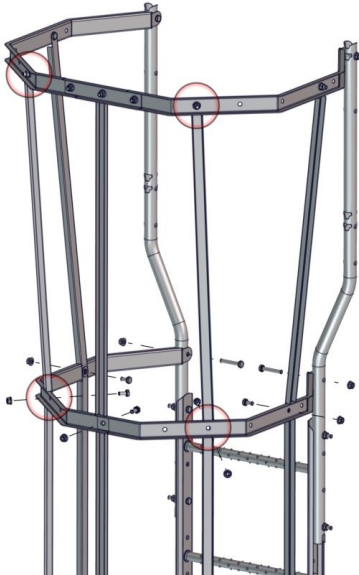


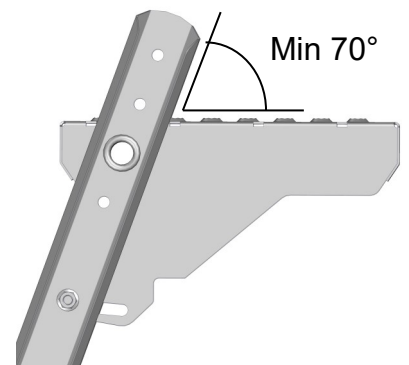
Assemble the handrails with M10x60mm bolt+nuts. Assemble handrail hoop or brace as needed.

If a safety cage is required, start at the top and assemble the safety cage hoop to the inside handrail with M10x60 and nuts. Install extension fittings between the halves of the safety cage on the topmost section. Screw together the hoops and top rail with M10x20 and nuts.

Assemble the safety cage kit with M10x20 bolt and nuts. Adjust the safety cage hoop horizontally.



Continue to assemble the safety cage hoops and safety cage kits to the desired length.



The standing platform is hooked on to the top rung and bolted to the side of the ladder in the horizontal position using 2x M10x60 and nuts.