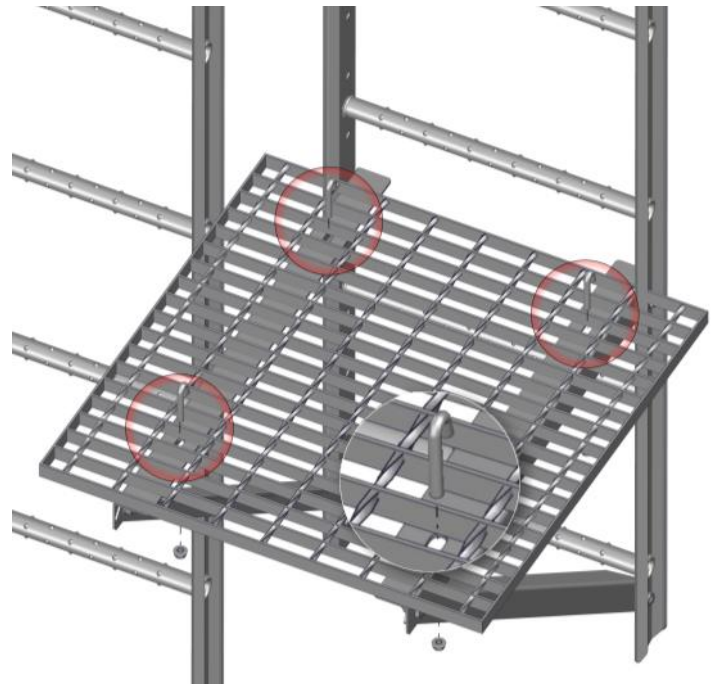
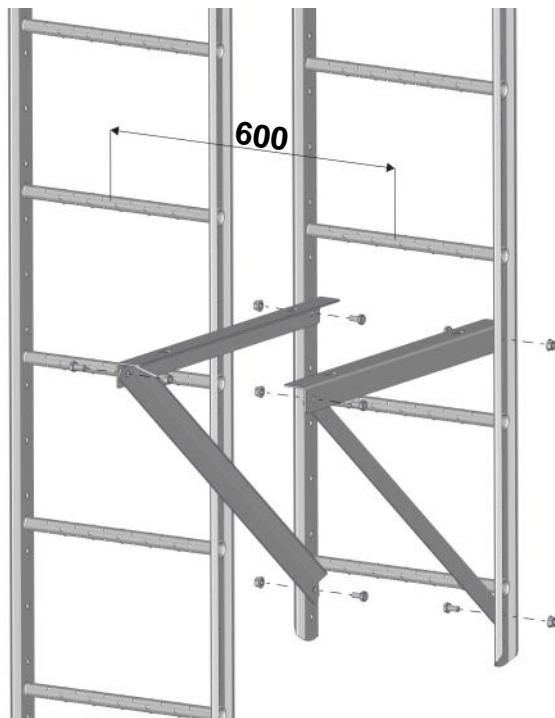
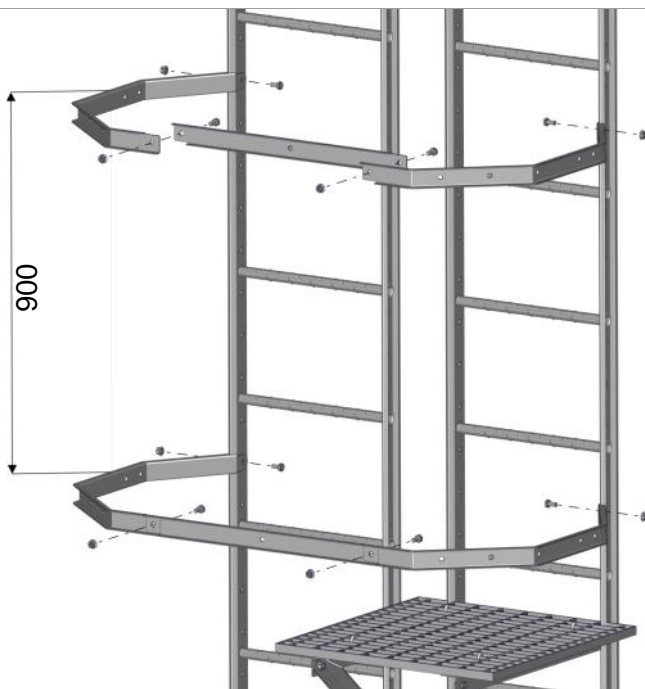


Start assembling treads and safety cages from the top to ensure the assembly will fit all the way. The total length of the ladders can be adjusted in the overlap.



Fasten the grating to the brackets using 4 J-hooks M8x40 + nuts.

The ladders must overlap one another by approx. 2.1m. Screw together the bracket brace and assemble it on ladders using 6 M10x20 + nuts.



Assemble the safety hoops together with the horizontal bar on the ladders. Use 4 M10x20 bolts + nuts.



Assemble the vertical bars between the hoops and to the end safety cages using M10x20 + nuts.