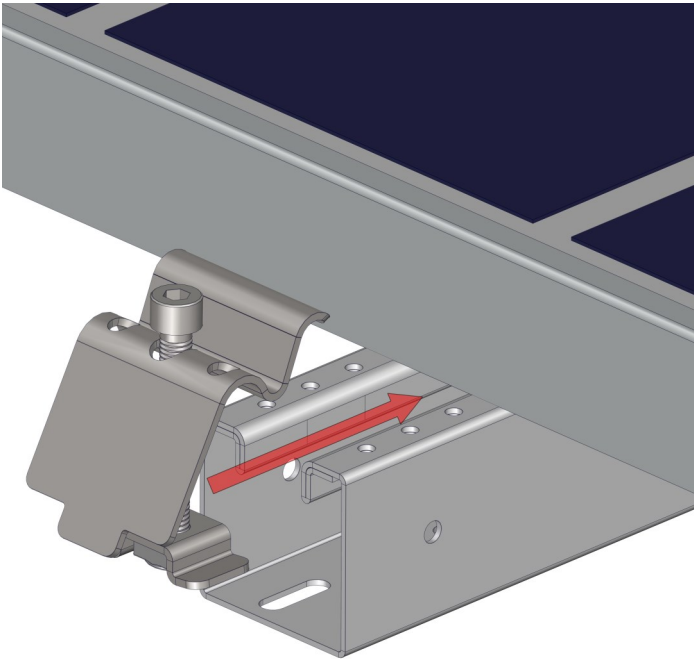
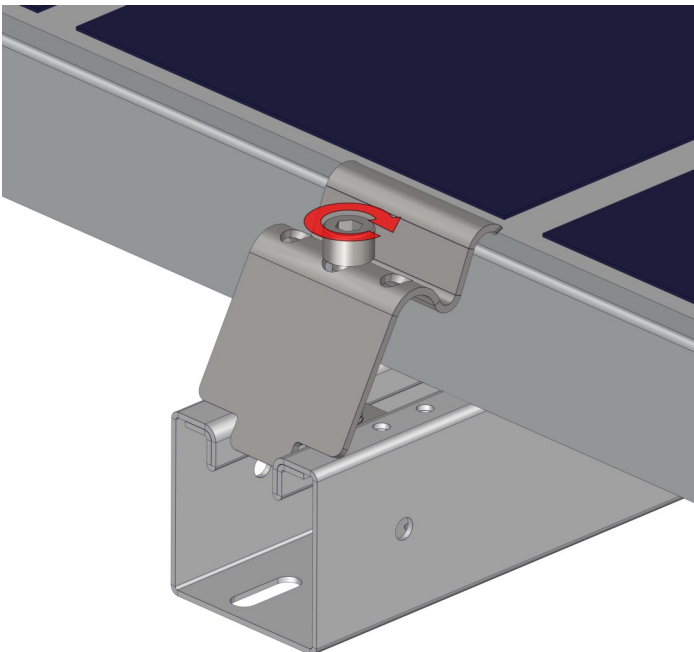


Observe the Swedish Work Environment Authority's rules! All work at heights above 2m must be carried out with falling protection. Weland Stål can help you create a safe workplace.

End clamp

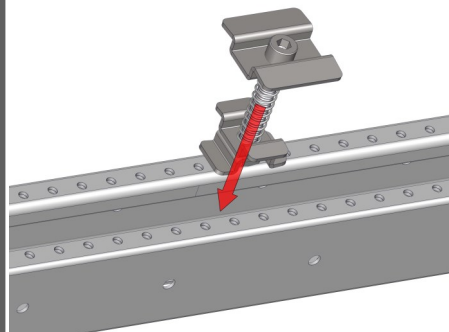


Hook the lower section firmly into the rail and place the upper section against the panel side.

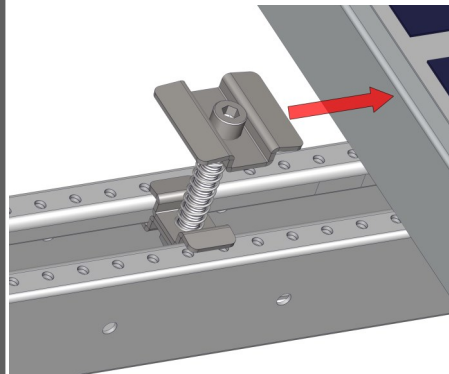
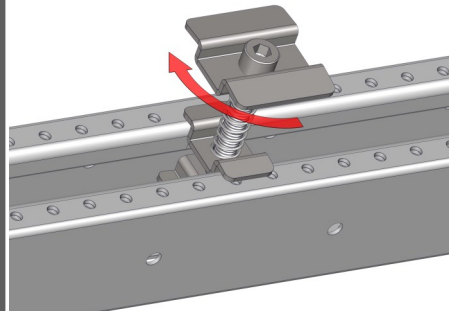


Tighten the clamp so it fastens the panel in place.

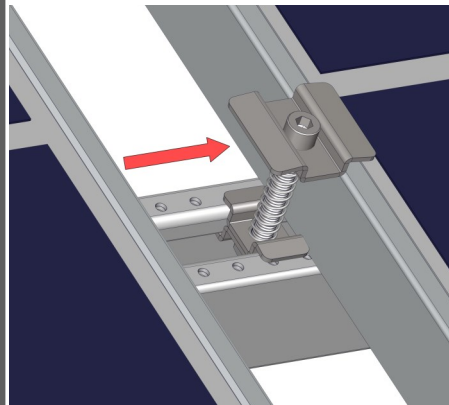
Intermediate clamp



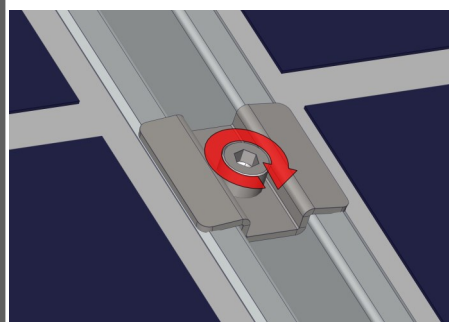
Press down the clamp and turn by 90°.



Place it against the first panel.



Place it against the second panel.



Tighten the clamp until the wings are completely flat against the panel.